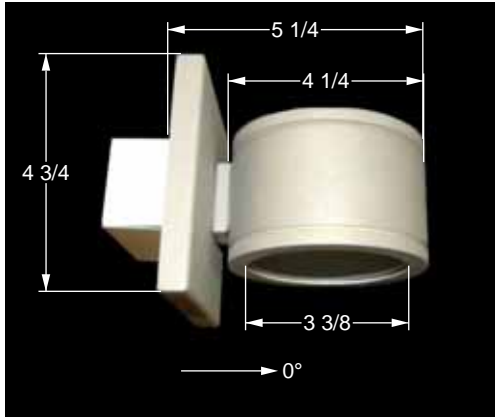




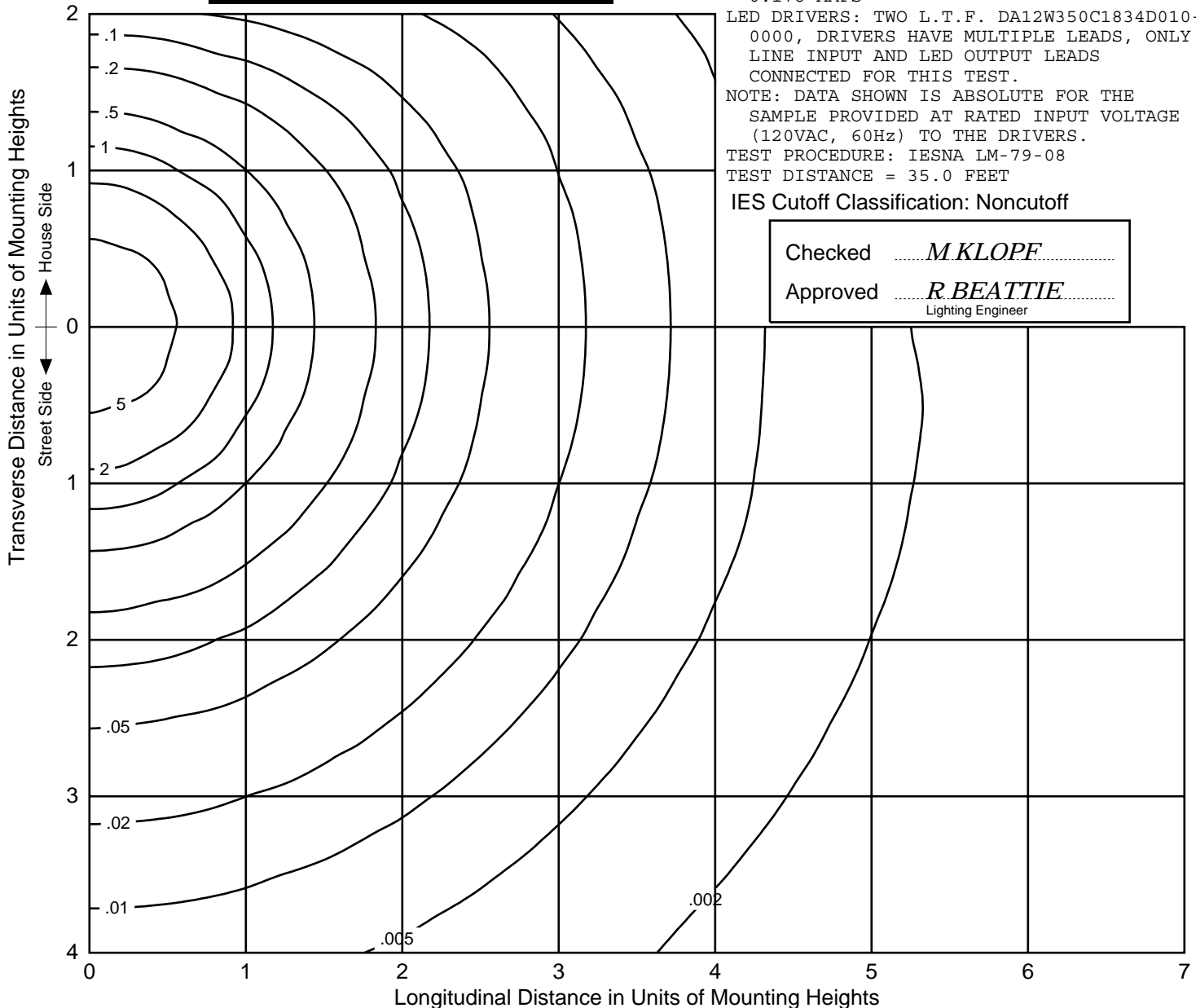
ISOFOOTCANDLE LINES OF HORIZONTAL ILLUMINATION
Values based on 5.5 foot mounting height.



REPORT NUMBER: ITL87372-GONIOPHOTOMETRY
ISSUE DATE: 05/11/16 PAGE: 1 OF 8
PREPARED FOR: OXYGEN LIGHTING
CATALOG NUMBER: 3-727
LUMINAIRE: FABRICATED GRAY PAINTED METAL WALL MOUNTING PLATE, CAST GRAY PAINTED METAL HOUSING WITH 2 DISTINCT OPTICAL COMPARTMENTS, EACH OPTICAL COMPARTMENT CONSISTS OF: 1 WHITE CIRCUIT BOARD WITH 24 LEDS, FROSTED HOLOGRAPHIC FLAT GLASS LENS IN CAST GRAY PAINTED METAL FRAME. LENSES FROSTED SIDE IN.
LAMPS: FORTY-EIGHT WHITE LIGHT EMITTING DIODES (LEDS), 24 VERTICAL BASE-DOWN POSITION, 24 VERTICAL BASE-UP POSITION.
INPUT ELECTRICAL: 120.0 VOLTS, 20.5 WATTS, 0.178 AMPS
LED DRIVERS: TWO L.T.F. DA12W350C1834D010-0000, DRIVERS HAVE MULTIPLE LEADS, ONLY LINE INPUT AND LED OUTPUT LEADS CONNECTED FOR THIS TEST.
NOTE: DATA SHOWN IS ABSOLUTE FOR THE SAMPLE PROVIDED AT RATED INPUT VOLTAGE (120VAC, 60Hz) TO THE DRIVERS.
TEST PROCEDURE: IESNA LM-79-08
TEST DISTANCE = 35.0 FEET

IES Cutoff Classification: Noncutoff

Checked <i>M.KLOPF</i>
Approved <i>R.BEATTIE</i>
	Lighting Engineer





REPORT NUMBER: ITL87372-GONIOPHOTOMETRY
 ISSUE DATE: 05/11/16 PAGE: 2 OF 8
 PREPARED FOR: OXYGEN LIGHTING
 CATALOG NUMBER: 3-727

LUMINAIRE: FABRICATED GRAY PAINTED METAL WALL MOUNTING PLATE, CAST GRAY PAINTED METAL HOUSING WITH 2 DISTINCT OPTICAL COMPARTMENTS, EACH OPTICAL COMPARTMENT CONSISTS OF: 1 WHITE CIRCUIT BOARD WITH 24 LEDS, FROSTED HOLOGRAPHIC FLAT GLASS LENS IN CAST GRAY PAINTED METAL FRAME. LENSES FROSTED SIDE IN.

LAMPS: FORTY-EIGHT WHITE LIGHT EMITTING DIODES (LEDS), 24 VERTICAL BASE-DOWN POSITION, 24 VERTICAL BASE-UP POSITION.

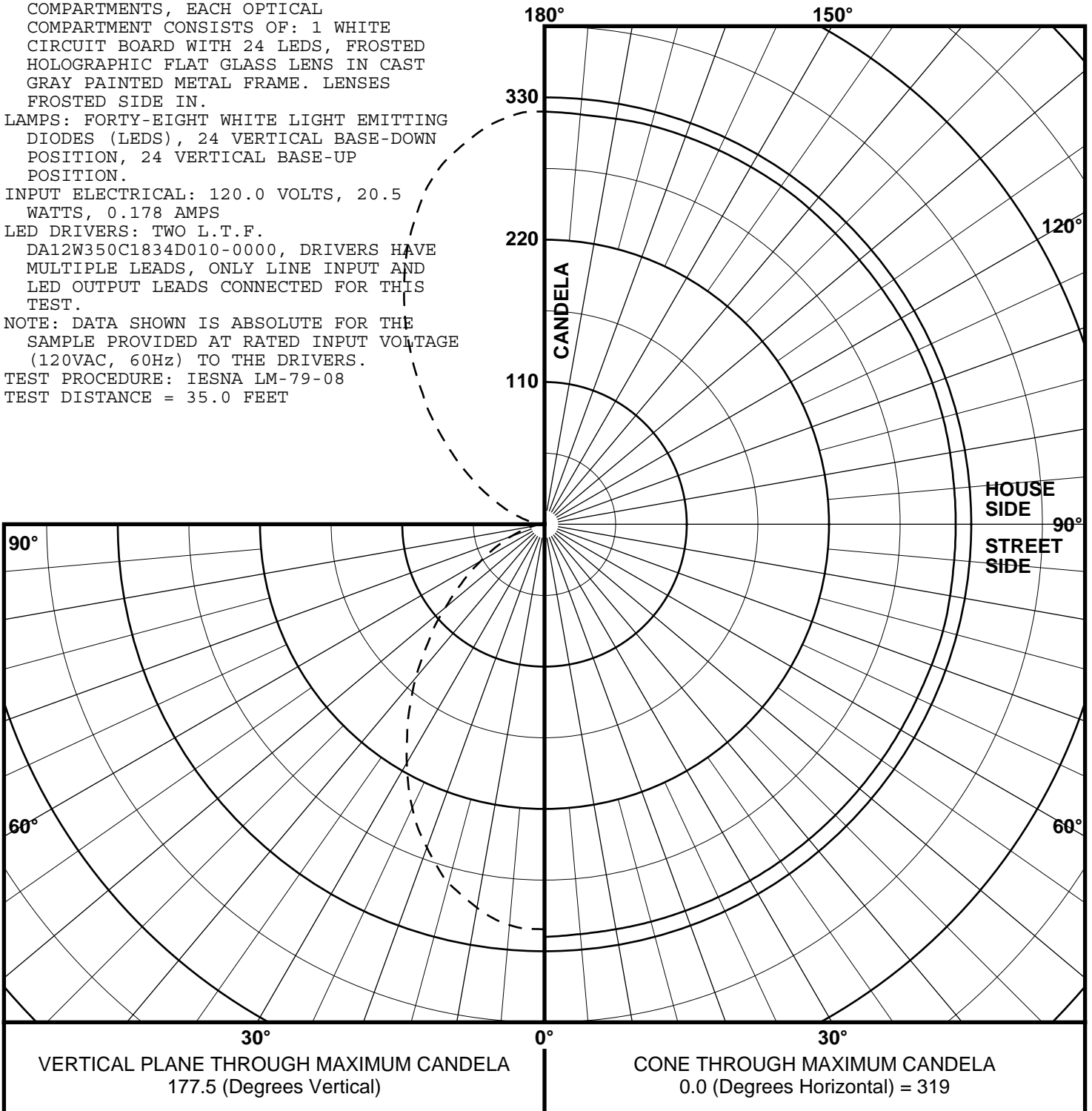
INPUT ELECTRICAL: 120.0 VOLTS, 20.5 WATTS, 0.178 AMPS

LED DRIVERS: TWO L.T.F. DA12W350C1834D010-0000, DRIVERS HAVE MULTIPLE LEADS, ONLY LINE INPUT AND LED OUTPUT LEADS CONNECTED FOR THIS TEST.

NOTE: DATA SHOWN IS ABSOLUTE FOR THE SAMPLE PROVIDED AT RATED INPUT VOLTAGE (120VAC, 60Hz) TO THE DRIVERS.

TEST PROCEDURE: IESNA LM-79-08
 TEST DISTANCE = 35.0 FEET

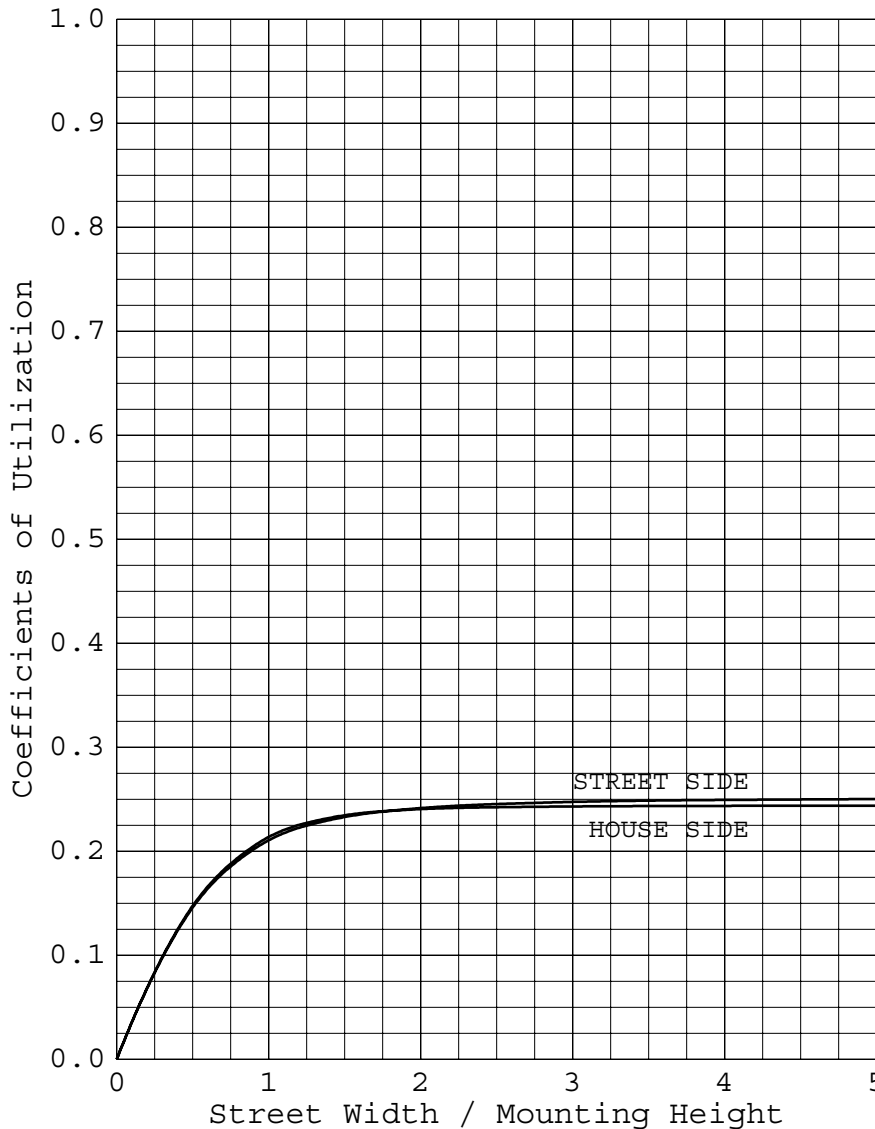
MAXIMUM PLANE AND MAXIMUM CONE PLOTS OF CANDELA



REPORT NUMBER: ITL87372-GONIOPHOTOMETRY
ISSUE DATE: 05/11/16
PREPARED FOR: OXYGEN LIGHTING

PAGE: 3 OF 8

COEFFICIENTS OF UTILIZATION AND FLUX DISTRIBUTION



	LUMENS	PERCENT OF FIXTURE
DOWNWARD STREET SIDE	285	25.2
DOWNWARD HOUSE SIDE	276	24.4
DOWNWARD TOTAL	561	49.6
UPWARD STREET SIDE	290	25.6
UPWARD HOUSE SIDE	280	24.7
UPWARD TOTAL	569	50.4
TOTAL FLUX	1131	100.0

EFFICACY = 55.2 lm/W

ALL CANDELA AND LUMENS IN THIS REPORT ARE BASED ON ABSOLUTE PHOTOMETRY. THE COEFFICIENT OF UTILIZATION VALUES ARE BASED ON THE TOTAL ABSOLUTE LUMEN OUTPUT OF THIS LUMINAIRE SAMPLE.



INDEPENDENT TESTING LABORATORIES, INC.
4066 CAMELOT CIRCLE, LONGMONT, CO 80504 USA

PHONE: (303) 442-1255 • FAX: (970) 535-3114 • E-MAIL: itl@itlboulder.com • WEBSITE: www.itlboulder.com

REPORT NUMBER: ITL87372-GONIOPHOTOMETRY
ISSUE DATE: 05/11/16
PREPARED FOR: OXYGEN LIGHTING

PAGE: 4 OF 8

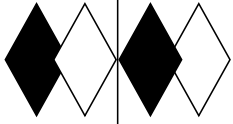
FLUX DISTRIBUTION BY SOLID ANGLE

(PER IESNA TM-15-11, LUMINAIRE CLASSIFICATION SYSTEM FOR OUTDOOR LUMINAIRES)

	LUMENS	PERCENT OF FIXTURE	BUG ZONE RATINGS
FORWARD LIGHT	285.	25.2	
FL (0- 30)	110.6	9.8	
FM (30- 60)	141.9	12.5	
FH (60- 80)	29.8	2.6	G0
FVH(80- 90)	2.8	0.2	G0
BACK LIGHT	276.	24.4	
BL (0- 30)	112.1	9.9	B1
BM (30- 60)	142.1	12.6	B0
BH (60- 80)	21.0	1.9	B0 G0
BVH(80- 90)	1.1	0.1	G0
UPLIGHT	569.	50.4	
UL (90-100)	4.0	0.4	U1
UH (100-180)	565.5	50.0	U4
TRAPPED LIGHT	0.	0.0	
TOTAL FLUX	1131.	100.0	

BACKLIGHT, UPLIGHT, AND GLARE (BUG) RATINGS
(PER ADDENDUM A FOR IESNA TM-15-11)

BUG RATING: B1 U4 G0



REPORT NUMBER: ITL87372-GONIOPHOTOMETRY
 ISSUE DATE: 05/11/16
 PREPARED FOR: OXYGEN LIGHTING

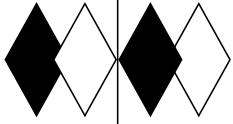
PAGE: 5 OF 8

CANDELA TABULATION

	LATERAL ANGLE											
	0.0	5.0	15.0	25.0	35.0	45.0	55.0	65.0	75.0	85.0	90.0	
	319.	319.	319.	319.	319.	319.	319.	319.	319.	319.	319.	
180.0	319.	318.	318.	318.	318.	318.	318.	318.	319.	318.	318.	
177.5<<	316.	316.	316.	316.	316.	316.	316.	316.	317.	316.	316.	
175.0	292.	291.	292.	292.	292.	292.	293.	293.	294.	294.	294.	
165.0	246.	245.	246.	246.	247.	246.	247.	247.	248.	249.	248.	
155.0	187.	186.	187.	187.	188.	187.	188.	189.	189.	190.	189.	
145.0	129.	128.	128.	128.	129.	129.	129.	130.	130.	130.	130.	
135.0	79.	78.	78.	78.	79.	79.	78.	79.	79.	79.	78.	
125.0	42.	42.	42.	42.	42.	42.	42.	41.	42.	41.	41.	
115.0	18.	18.	18.	18.	18.	18.	18.	18.	17.	17.	17.	
105.0	5.	5.	5.	5.	5.	5.	5.	5.	4.	4.	4.	
95.0	4.	4.	4.	4.	4.	4.	3.	3.	3.	3.	2.	
92.5	3.	3.	3.	3.	3.	3.	2.	2.	2.	2.	0.	
90.0	4.	4.	4.	4.	4.	4.	3.	3.	3.	2.	2.	
87.5	5.	5.	5.	5.	5.	5.	5.	4.	4.	4.	3.	
V 85.0	7.	7.	7.	7.	7.	7.	6.	6.	6.	6.	5.	
E 82.5	10.	10.	10.	9.	10.	9.	9.	9.	9.	9.	8.	
R 80.0	13.	13.	13.	13.	13.	13.	13.	13.	13.	12.	12.	
T 77.5	17.	17.	17.	17.	17.	17.	17.	17.	17.	17.	17.	
I 75.0	22.	22.	22.	22.	22.	22.	22.	22.	22.	22.	22.	
C 72.5	28.	27.	28.	28.	28.	28.	28.	28.	27.	27.	27.	
A 70.0	34.	34.	34.	34.	34.	34.	34.	34.	34.	34.	34.	
L 67.5	41.	41.	41.	41.	41.	41.	41.	41.	41.	41.	41.	
65.0	49.	48.	49.	49.	49.	49.	49.	49.	49.	49.	49.	
A 62.5	57.	57.	57.	57.	58.	57.	58.	57.	58.	58.	58.	
N 60.0	67.	67.	67.	67.	68.	67.	67.	67.	68.	67.	68.	
G 57.5	77.	77.	77.	77.	77.	77.	78.	77.	78.	78.	78.	
L 55.0	88.	88.	88.	89.	89.	89.	89.	89.	89.	89.	90.	
E 52.5	100.	100.	100.	101.	101.	101.	101.	101.	102.	102.	102.	
50.0	114.	113.	113.	114.	113.	114.	114.	114.	115.	115.	115.	
47.5	126.	127.	127.	126.	127.	127.	127.	128.	129.	128.	129.	
45.0	140.	141.	141.	141.	141.	141.	141.	142.	143.	142.	143.	
42.5	155.	155.	155.	155.	156.	156.	156.	156.	157.	157.	158.	
40.0	169.	169.	169.	170.	170.	170.	170.	171.	172.	172.	172.	
37.5	184.	184.	184.	185.	185.	185.	185.	186.	187.	187.	187.	
35.0	213.	213.	213.	213.	214.	214.	215.	216.	216.	216.	217.	
30.0	242.	242.	241.	241.	242.	242.	244.	244.	245.	244.	245.	
25.0	266.	266.	267.	266.	267.	267.	268.	268.	269.	269.	269.	
20.0	287.	287.	287.	286.	287.	287.	287.	287.	288.	288.	288.	
15.0	301.	301.	301.	301.	300.	301.	301.	301.	302.	301.	302.	
10.0	311.	310.	310.	310.	310.	310.	310.	310.	310.	310.	310.	
5.0	313.	313.	313.	313.	313.	313.	313.	313.	313.	313.	313.	
0.0												

PLANE OF MAXIMUM CANDELA

CONE OF MAXIMUM CANDELA



REPORT NUMBER: ITL87372-GONIOPHOTOMETRY
 ISSUE DATE: 05/11/16
 PREPARED FOR: OXYGEN LIGHTING

PAGE: 6 OF 8

CANDELA TABULATION

	HOUSE SIDE		LATERAL ANGLE							
	95.0	105.0	115.0	125.0	135.0	145.0	155.0	165.0	175.0	180.0
	180.0	319.	319.	319.	319.	319.	319.	319.	319.	319.
	177.5<<	318.	319.	319.	318.	318.	319.	319.	319.	318.
	175.0	316.	317.	317.	317.	316.	317.	317.	317.	317.
	165.0	294.	295.	295.	295.	295.	295.	296.	297.	297.
	155.0	248.	249.	250.	251.	250.	251.	251.	252.	252.
	145.0	189.	191.	191.	192.	191.	191.	192.	192.	192.
	135.0	130.	131.	131.	132.	131.	131.	132.	132.	131.
	125.0	78.	79.	79.	79.	78.	75.	70.	67.	65.
	115.0	41.	41.	41.	39.	34.	28.	22.	18.	15.
	105.0	17.	17.	16.	14.	11.	7.	4.	2.	2.
	95.0	4.	4.	4.	3.	3.	1.	0.	0.	0.
	92.5	2.	2.	2.	1.	0.	0.	0.	0.	0.
	90.0	0.	0.	0.	0.	0.	0.	0.	0.	0.
	87.5	2.	2.	2.	1.	0.	0.	0.	0.	0.
V	85.0	4.	4.	3.	3.	2.	1.	0.	0.	0.
E	82.5	6.	6.	5.	5.	3.	2.	0.	0.	0.
R	80.0	9.	8.	8.	7.	5.	3.	1.	0.	0.
T	77.5	12.	12.	12.	10.	8.	4.	2.	1.	0.
I	75.0	17.	17.	16.	14.	11.	7.	3.	2.	2.
C	72.5	22.	22.	21.	19.	14.	9.	5.	3.	3.
A	70.0	27.	27.	27.	24.	19.	13.	8.	5.	5.
L	67.5	34.	34.	34.	31.	26.	19.	13.	9.	8.
	65.0	41.	41.	41.	39.	34.	27.	21.	17.	15.
A	62.5	49.	49.	49.	48.	43.	37.	31.	27.	24.
N	60.0	58.	58.	58.	58.	54.	48.	42.	38.	35.
G	57.5	68.	68.	68.	68.	65.	60.	56.	51.	49.
L	55.0	78.	79.	79.	79.	78.	73.	69.	66.	63.
E	52.5	90.	90.	91.	91.	90.	88.	84.	81.	79.
	50.0	102.	102.	102.	103.	103.	102.	99.	97.	95.
	47.5	115.	115.	116.	116.	117.	117.	115.	112.	111.
	45.0	129.	129.	129.	130.	131.	131.	130.	129.	128.
	42.5	143.	143.	144.	144.	145.	145.	145.	145.	144.
	40.0	158.	158.	158.	159.	160.	160.	160.	160.	160.
	37.5	172.	173.	173.	174.	174.	174.	175.	175.	175.
	35.0	187.	188.	188.	189.	190.	190.	190.	190.	191.
	30.0	217.	218.	219.	219.	219.	220.	221.	221.	221.
	25.0	245.	246.	246.	247.	247.	247.	249.	249.	247.
	20.0	270.	270.	271.	271.	271.	271.	272.	272.	272.
	15.0	289.	289.	289.	290.	290.	290.	291.	291.	290.
	10.0	302.	302.	302.	302.	303.	303.	303.	303.	302.
	5.0	310.	310.	310.	311.	311.	311.	311.	311.	310.
	0.0	313.	313.	313.	313.	313.	313.	313.	313.	313.

CONE OF MAXIMUM CANDELA



INDEPENDENT TESTING LABORATORIES, INC.
 4066 CAMELOT CIRCLE, LONGMONT, CO 80504 USA

PHONE: (303) 442-1255 • FAX: (970) 535-3114 • E-MAIL: itl@itlboulder.com • WEBSITE: www.itlboulder.com

REPORT NUMBER: ITL87372-GONIOPHOTOMETRY
 ISSUE DATE: 05/11/16
 PREPARED FOR: OXYGEN LIGHTING

PAGE: 7 OF 8

5-DEGREE
 ZONAL LUMEN SUMMARY

0- 5	7
5- 10	22
10- 15	35
15- 20	46
20- 25	54
25- 30	58
30- 35	59
35- 40	57
40- 45	53
45- 50	46
50- 55	38
55- 60	30
60- 65	22
65- 70	15
70- 75	9
75- 80	5
80- 85	3
85- 90	1
90- 95	1
95-100	3
100-105	6
105-110	10
110-115	15
115-120	22
120-125	30
125-130	39
130-135	47
135-140	53
140-145	58
145-150	60
150-155	59
155-160	55
160-165	47
165-170	36
170-175	22
175-180	8

10-DEGREE
 ZONAL LUMEN SUMMARY

0- 10	29
0- 20	110
0- 30	223
0- 40	340
0- 50	439
0- 60	507
0- 70	543
0- 80	558
0- 90	561
0-100	565
0-110	580
0-120	617
0-130	686
0-140	786
0-150	904
0-160	1018
0-170	1101
0-180	1131



INDEPENDENT TESTING LABORATORIES, INC.
4066 CAMELOT CIRCLE, LONGMONT, CO 80504 USA

PHONE: (303) 442-1255 • FAX: (970) 535-3114 • E-MAIL: itl@itlboulder.com • WEBSITE: www.itlboulder.com

REPORT NUMBER: ITL87372-GONIOPHOTOMETRY
ISSUE DATE: 05/11/16
PREPARED FOR: OXYGEN LIGHTING

PAGE: 8 OF 8

ADDRESS: 201 RAILHEAD ROAD
FORT WORTH, TX 76106

THIS ITL REPORT WITH THE USE OF THE NVLAP LOGO SHALL NOT BE USED BY THE CLIENT TO CLAIM PRODUCT CERTIFICATION, APPROVAL, OR ENDORSEMENT BY NVLAP, NIST, OR ANY AGENCY OF THE FEDERAL GOVERNMENT.