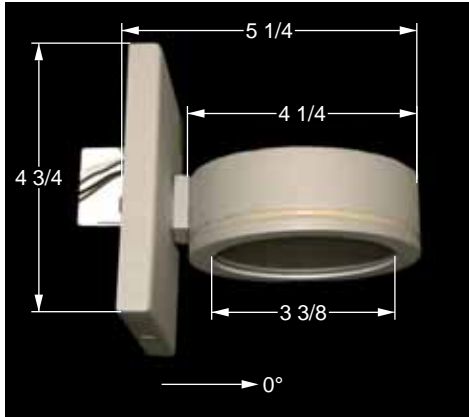




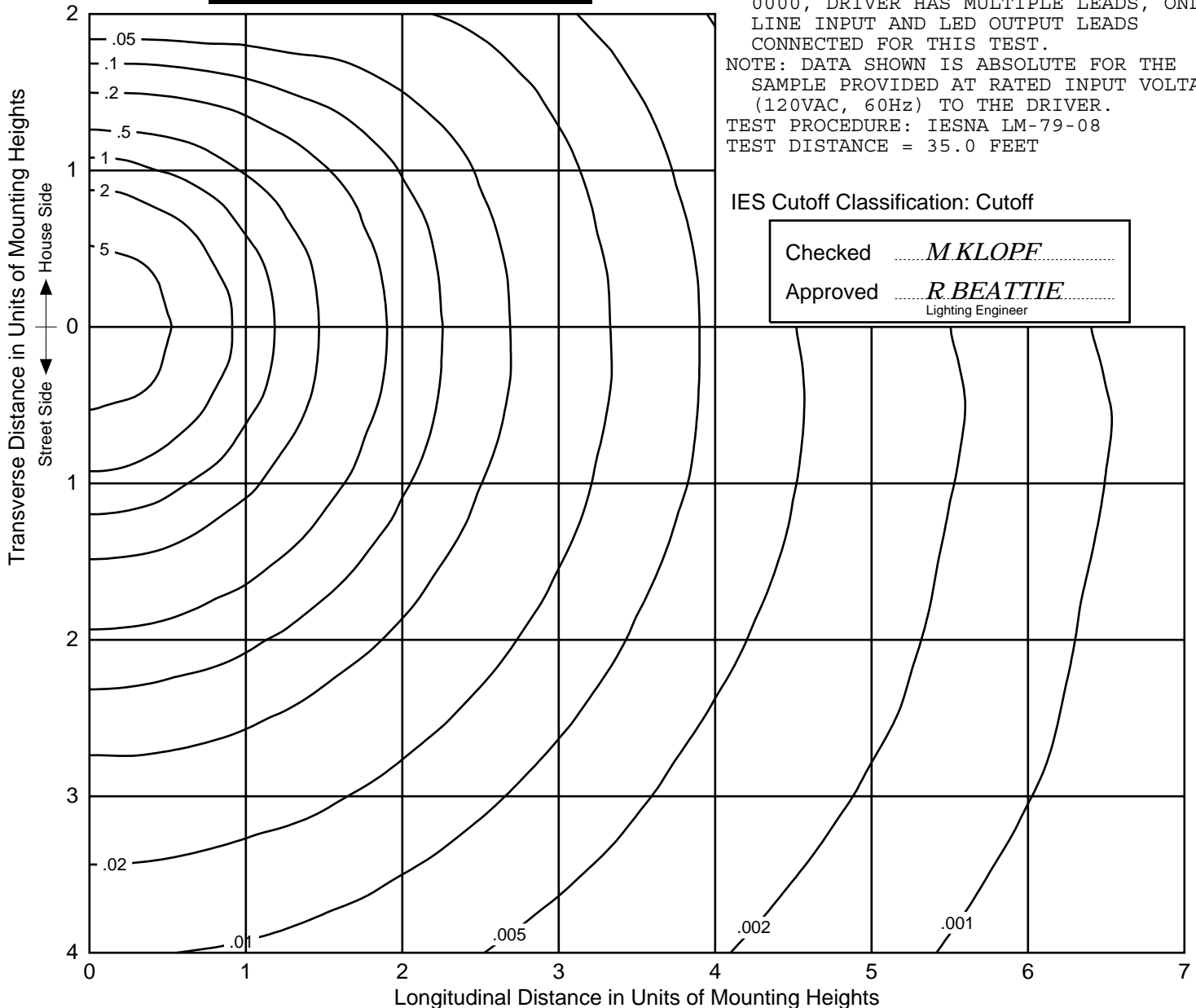
ISOFOOTCANDLE LINES OF HORIZONTAL ILLUMINATION
Values based on 5.5 foot mounting height.



REPORT NUMBER: ITL87371-GONIOPHOTOMETRY
 ISSUE DATE: 05/10/16 PAGE: 1 OF 8
 PREPARED FOR: OXYGEN LIGHTING
 CATALOG NUMBER: 3-726
 LUMINAIRE: FABRICATED GRAY PAINTED METAL WALL MOUNTING PLATE, CAST GRAY PAINTED METAL HOUSING, 1 WHITE CIRCUIT BOARD WITH 24 LEDS, FROSTED HOLOGRAPHIC FLAT GLASS LENS IN CAST GRAY PAINTED METAL FRAME. LENS FROSTED SIDE IN.
 LAMPS: TWENTY-FOUR WHITE LIGHT EMITTING DIODES (LEDS), VERTICAL BASE-UP POSITION.
 INPUT ELECTRICAL: 120.0 VOLTS, 10.4 WATTS, 0.0907 AMPS
 LED DRIVER: L.T.F. DA12W350C1834D010-0000, DRIVER HAS MULTIPLE LEADS, ONLY LINE INPUT AND LED OUTPUT LEADS CONNECTED FOR THIS TEST.
 NOTE: DATA SHOWN IS ABSOLUTE FOR THE SAMPLE PROVIDED AT RATED INPUT VOLTAGE (120VAC, 60Hz) TO THE DRIVER.
 TEST PROCEDURE: IESNA LM-79-08
 TEST DISTANCE = 35.0 FEET

IES Cutoff Classification: Cutoff

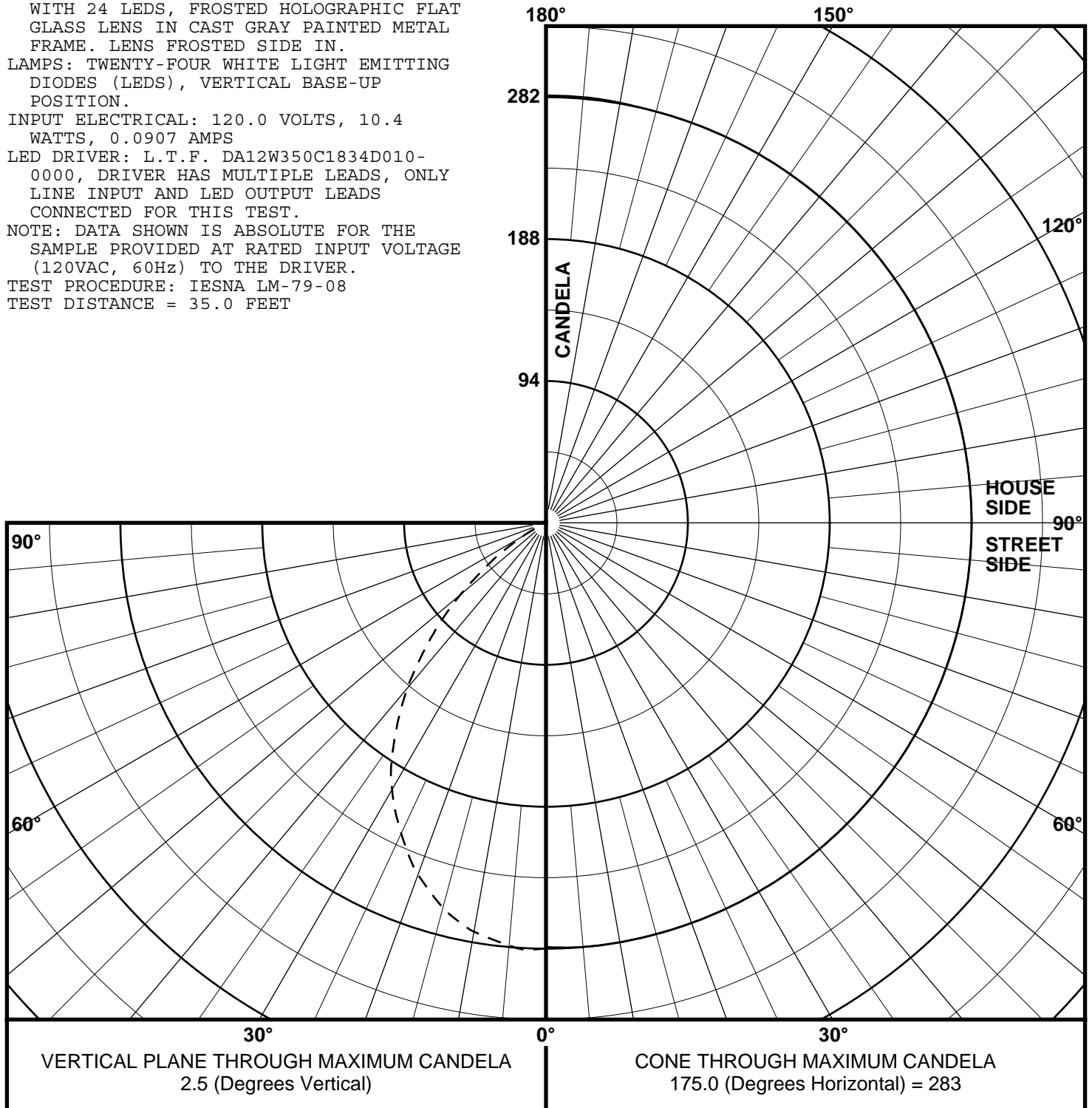
Checked	<i>M. KLOPF</i>
Approved	<i>R. BEATTIE</i> Lighting Engineer





REPORT NUMBER: ITL87371-GONIOPHOTOMETRY
 ISSUE DATE: 05/10/16 PAGE: 2 OF 8
 PREPARED FOR: OXYGEN LIGHTING
 CATALOG NUMBER: 3-726
 LUMINAIRE: FABRICATED GRAY PAINTED METAL WALL MOUNTING PLATE, CAST GRAY PAINTED METAL HOUSING, 1 WHITE CIRCUIT BOARD WITH 24 LEDS, FROSTED HOLOGRAPHIC FLAT GLASS LENS IN CAST GRAY PAINTED METAL FRAME. LENS FROSTED SIDE IN.
 LAMPS: TWENTY-FOUR WHITE LIGHT EMITTING DIODES (LEDS), VERTICAL BASE-UP POSITION.
 INPUT ELECTRICAL: 120.0 VOLTS, 10.4 WATTS, 0.0907 AMPS
 LED DRIVER: L.T.F. DA12W350C1834D010-0000, DRIVER HAS MULTIPLE LEADS, ONLY LINE INPUT AND LED OUTPUT LEADS CONNECTED FOR THIS TEST.
 NOTE: DATA SHOWN IS ABSOLUTE FOR THE SAMPLE PROVIDED AT RATED INPUT VOLTAGE (120VAC, 60Hz) TO THE DRIVER.
 TEST PROCEDURE: IESNA LM-79-08
 TEST DISTANCE = 35.0 FEET

MAXIMUM PLANE AND MAXIMUM CONE PLOTS OF CANDELA

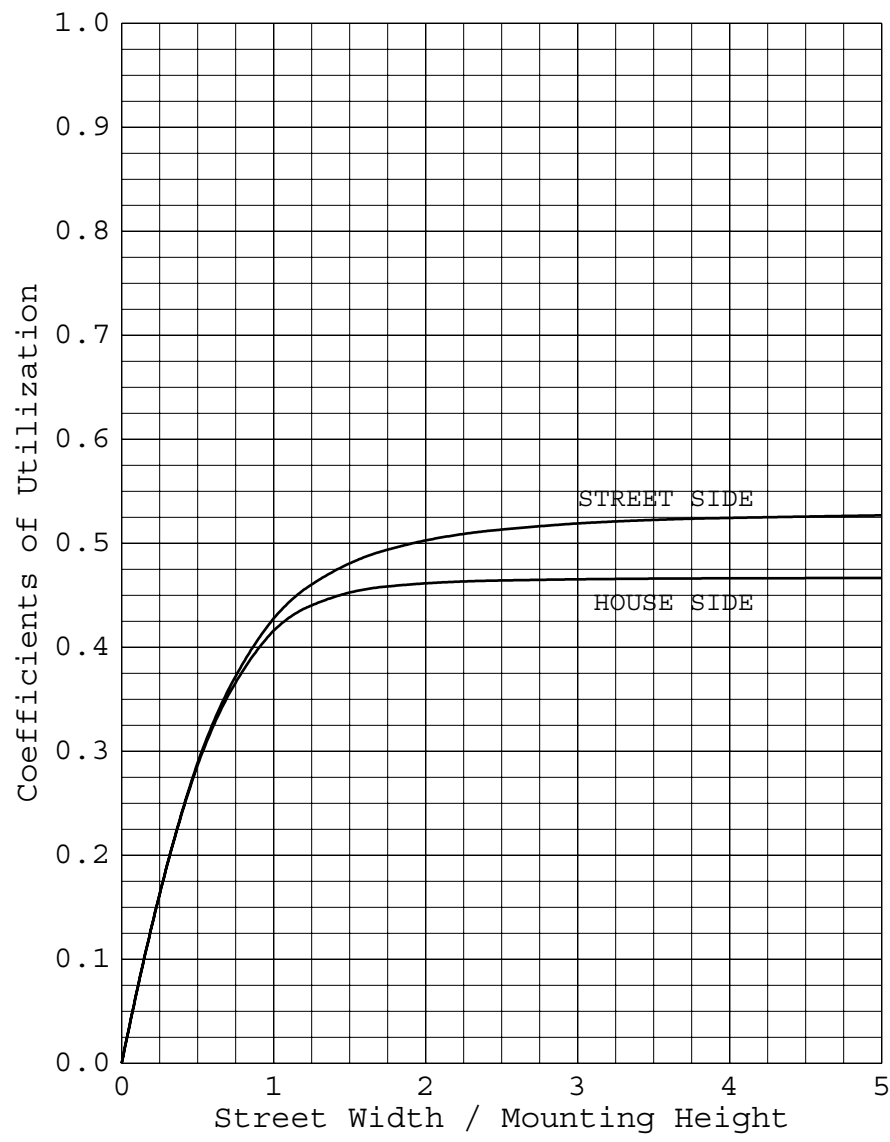




REPORT NUMBER: ITL87371-GONIOPHOTOMETRY
 ISSUE DATE: 05/10/16
 PREPARED FOR: OXYGEN LIGHTING

PAGE: 3 OF 8

COEFFICIENTS OF UTILIZATION AND FLUX DISTRIBUTION



	LUMENS	PERCENT OF FIXTURE
DOWNWARD STREET SIDE	292	53.1
DOWNWARD HOUSE SIDE	257	46.7
DOWNWARD TOTAL	549	99.8
UPWARD STREET SIDE	1	0.2
UPWARD HOUSE SIDE	0	0.0
UPWARD TOTAL	1	0.2
TOTAL FLUX	550	100.0

EFFICACY = 52.9 lm/W

ALL CANDELA AND LUMENS IN THIS REPORT ARE BASED ON ABSOLUTE PHOTOMETRY. THE COEFFICIENT OF UTILIZATION VALUES ARE BASED ON THE TOTAL ABSOLUTE LUMEN OUTPUT OF THIS LUMINAIRE SAMPLE.



INDEPENDENT TESTING LABORATORIES, INC.
4066 CAMELOT CIRCLE, LONGMONT, CO 80504 USA

PHONE: (303) 442-1255 • FAX: (970) 535-3114 • E-MAIL: itl@itlboulder.com • WEBSITE: www.itlboulder.com

REPORT NUMBER: ITL87371-GONIOPHOTOMETRY
ISSUE DATE: 05/10/16
PREPARED FOR: OXYGEN LIGHTING

PAGE: 4 OF 8

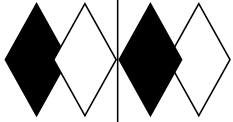
FLUX DISTRIBUTION BY SOLID ANGLE

(PER IESNA TM-15-11, LUMINAIRE CLASSIFICATION SYSTEM FOR OUTDOOR LUMINAIRES)

	LUMENS	PERCENT OF FIXTURE	BUG ZONE RATINGS
FORWARD LIGHT	292.	53.1	
FL (0- 30)	103.1	18.8	
FM (30- 60)	147.7	26.9	
FH (60- 80)	38.1	6.9	G0
FVH(80- 90)	3.1	0.6	G0
BACK LIGHT	257.	46.7	
BL (0- 30)	102.5	18.6	B0
BM (30- 60)	133.0	24.2	B0
BH (60- 80)	20.4	3.7	B0 G0
BVH(80- 90)	1.1	0.2	G0
UPLIGHT	1.	0.2	
UL (90-100)	0.6	0.1	U1
UH (100-180)	0.2	0.0	U1
TRAPPED LIGHT	0.	0.0	
TOTAL FLUX	550.	100.0	

BACKLIGHT, UPLIGHT, AND GLARE (BUG) RATINGS
(PER ADDENDUM A FOR IESNA TM-15-11)

BUG RATING: B0 U1 G0



REPORT NUMBER: ITL87371-GONIOPHOTOMETRY
 ISSUE DATE: 05/10/16
 PREPARED FOR: OXYGEN LIGHTING

PAGE: 5 OF 8

CANDELA TABULATION

	LATERAL ANGLE										
	0.0	5.0	15.0	25.0	35.0	45.0	55.0	65.0	75.0	85.0	90.0
180.0	0.	0.	0.	0.	0.	0.	0.	0.	0.	0.	0.
175.0	0.	0.	0.	0.	0.	0.	0.	0.	0.	0.	0.
165.0	0.	0.	0.	0.	0.	0.	0.	0.	0.	0.	0.
155.0	0.	0.	0.	0.	0.	0.	0.	0.	0.	0.	0.
145.0	0.	0.	0.	0.	0.	0.	0.	0.	0.	0.	0.
135.0	0.	0.	0.	0.	0.	0.	0.	0.	0.	0.	0.
125.0	0.	0.	0.	0.	0.	0.	0.	0.	0.	0.	0.
115.0	0.	0.	0.	0.	0.	0.	0.	0.	0.	0.	0.
105.0	0.	0.	0.	1.	1.	1.	1.	1.	0.	0.	0.
95.0	2.	2.	2.	2.	1.	1.	1.	1.	0.	0.	0.
92.5	2.	2.	2.	2.	2.	1.	1.	1.	0.	0.	0.
90.0	2.	2.	2.	2.	2.	2.	1.	1.	1.	0.	0.
87.5	4.	4.	4.	4.	3.	3.	3.	2.	2.	1.	1.
85.0	6.	6.	6.	6.	5.	5.	5.	4.	4.	3.	3.
V 82.5	9.	9.	9.	9.	9.	8.	8.	8.	7.	7.	6.
E 80.0	14.	14.	13.	13.	13.	12.	12.	12.	11.	11.	10.
R 77.5	19.	19.	19.	19.	18.	18.	17.	17.	17.	16.	15.
T 75.0	24.	24.	24.	24.	24.	23.	23.	22.	22.	21.	21.
I 72.5	31.	31.	30.	31.	30.	30.	29.	29.	28.	28.	27.
C 70.0	37.	38.	38.	38.	37.	37.	36.	35.	35.	35.	34.
A 67.5	45.	45.	45.	45.	44.	44.	43.	43.	42.	42.	41.
L 65.0	53.	53.	53.	52.	52.	52.	51.	50.	50.	49.	49.
62.5	61.	61.	61.	61.	61.	60.	59.	59.	58.	58.	57.
A 60.0	70.	70.	70.	69.	69.	69.	68.	68.	67.	66.	66.
N 57.5	80.	79.	80.	79.	79.	79.	77.	78.	77.	76.	76.
G 55.0	90.	89.	90.	89.	89.	89.	88.	88.	86.	86.	85.
L 52.5	100.	100.	100.	100.	99.	99.	98.	98.	97.	96.	96.
E 50.0	111.	111.	111.	111.	111.	110.	109.	109.	108.	107.	107.
47.5	123.	122.	123.	122.	122.	121.	121.	121.	120.	119.	118.
45.0	135.	134.	134.	134.	134.	133.	132.	132.	131.	131.	130.
42.5	146.	146.	147.	146.	146.	145.	145.	145.	143.	143.	143.
40.0	159.	158.	159.	158.	158.	158.	157.	156.	156.	155.	155.
37.5	171.	171.	171.	170.	170.	170.	169.	169.	168.	168.	168.
35.0	183.	183.	183.	183.	183.	183.	182.	181.	181.	180.	180.
30.0	208.	207.	208.	208.	207.	206.	206.	206.	206.	205.	205.
25.0	230.	230.	230.	230.	230.	229.	229.	229.	229.	229.	228.
20.0	249.	249.	250.	250.	249.	249.	249.	249.	249.	248.	248.
15.0	264.	264.	265.	264.	264.	264.	264.	264.	264.	264.	264.
10.0	274.	274.	275.	275.	275.	275.	274.	274.	274.	274.	274.
5.0	280.	281.	281.	281.	281.	281.	281.	281.	281.	280.	281.
2.5<<	281.	282.	282.	282.	282.	282.	282.	282.	282.	282.	282.
0.0	282.	282.	282.	282.	282.	282.	282.	282.	282.	282.	282.

CONE OF MAXIMUM CANDELA



INDEPENDENT TESTING LABORATORIES, INC.
4066 CAMELOT CIRCLE, LONGMONT, CO 80504 USA

PHONE: (303) 442-1255 • FAX: (970) 535-3114 • E-MAIL: itl@itlboulder.com • WEBSITE: www.itlboulder.com

REPORT NUMBER: ITL87371-GONIOPHOTOMETRY
ISSUE DATE: 05/10/16
PREPARED FOR: OXYGEN LIGHTING

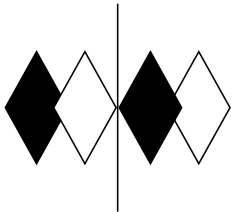
PAGE: 7 OF 8

5-DEGREE
ZONAL LUMEN SUMMARY

0- 5	7
5- 10	20
10- 15	32
15- 20	42
20- 25	50
25- 30	55
30- 35	57
35- 40	56
40- 45	52
45- 50	46
50- 55	39
55- 60	31
60- 65	23
65- 70	17
70- 75	11
75- 80	7
80- 85	3
85- 90	1
90- 95	0
95-100	0
100-105	0
105-110	0
110-115	0
115-120	0
120-125	0
125-130	0
130-135	0
135-140	0
140-145	0
145-150	0
150-155	0
155-160	0
160-165	0
165-170	0
170-175	0
175-180	0

10-DEGREE
ZONAL LUMEN SUMMARY

0- 10	27
0- 20	101
0- 30	206
0- 40	318
0- 50	416
0- 60	486
0- 70	527
0- 80	545
0- 90	549
0-100	550
0-110	550
0-120	550
0-130	550
0-140	550
0-150	550
0-160	550
0-170	550
0-180	550



itl boulder
THE LIGHT CENTER OF THE INDUSTRY SINCE 1955



NVLAP LAB CODE: 200925-0

INDEPENDENT TESTING LABORATORIES, INC.
4066 CAMELOT CIRCLE, LONGMONT, CO 80504 USA

PHONE: (303) 442-1255 • FAX: (970) 535-3114 • E-MAIL: itl@itlboulder.com • WEBSITE: www.itlboulder.com

REPORT NUMBER: ITL87371-GONIOPHOTOMETRY
ISSUE DATE: 05/10/16
PREPARED FOR: OXYGEN LIGHTING

PAGE: 8 OF 8

ADDRESS: 201 RAILHEAD ROAD
FORT WORTH, TX 76106

THIS ITL REPORT WITH THE USE OF THE NVLAP LOGO SHALL NOT BE USED BY THE CLIENT TO CLAIM PRODUCT CERTIFICATION, APPROVAL, OR ENDORSEMENT BY NVLAP, NIST, OR ANY AGENCY OF THE FEDERAL GOVERNMENT.