

REPORT NUMBER: ITL82267
ISSUE DATE: 12/29/14
PREPARED FOR: OXYGEN LIGHTING
CATALOG NUMBER: 3-524-XX

PAGE: 1 OF 6
REVISED: 04/04/16

LUMINAIRE: FABRICATED WHITE PAINTED CIRCUIT BOARD/WALL MOUNT AND DRIVER COVERS, 2 WHITE CIRCUIT BOARDS EACH WITH 30 LEDS, FROSTED TRANSLUCENT WHITE ACRYLIC DIFFUSER IN FABRICATED SPECULAR METAL FACEPLATE. DIFFUSER FROSTED SIDE OUT.

LAMPS: SIXTY WHITE MULTI-CHIP LIGHT EMITTING DIODES (LEDs), AIMED AT THE HORIZON.

INPUT ELECTRICAL: 120.0 VOLTS, 20.0 WATTS, 0.169 AMPS

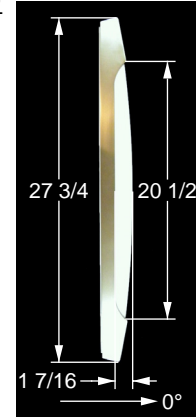
MOUNTING: WALL

LED DRIVERS: TWO ESPEN VEL12030MVH-1

NOTE: DATA SHOWN IS ABSOLUTE FOR THE SAMPLE PROVIDED AT RATED INPUT VOLTAGE (120VAC, 60Hz) TO THE DRIVERS. ACRYLIC MATERIAL INFORMATION PROVIDED BY CLIENT.

TEST PROCEDURE: IESNA LM-79-08

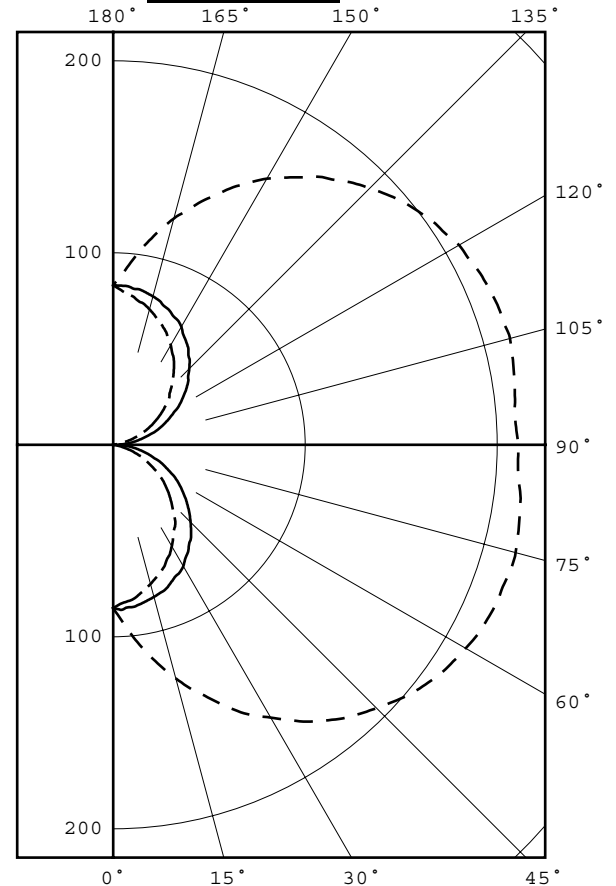
TEST DISTANCE = 20.0 FEET



CANDELA DISTRIBUTION

	0.0	45.0	90.0	135.0	180.0	
0	85	85	85	85	85	8
5	98	93	85	83	82	26
15	126	111	82	77	75	44
25	153	127	76	68	66	60
35	176	140	68	58	55	72
45	194	148	57	46	43	80
55	208	153	45	34	31	81
65	215	154	32	21	18	78
75	217	150	19	9	6	72
85	212	143	7	0	0	71
90	211	140	3	0	0	78
95	210	141	7	0	0	81
105	214	148	19	10	8	78
115	211	151	32	22	20	78
125	203	150	45	34	32	71
135	189	145	56	46	43	59
145	170	136	66	57	55	43
155	148	123	74	67	65	26
165	122	108	80	74	73	8
175	94	90	83	80	79	
180	83	83	83	83	83	

FLUX



LEGEND:
0-deg -----
90-deg =====
180-deg - - - - -

ZONAL LUMEN SUMMARY

ZONE	LUMENS	%FIXT
0- 30	79	7.6
0- 40	139	13.4
0- 60	291	28.1
0- 90	522	50.4
90-120	229	22.1
90-130	308	29.7
90-150	437	42.2
90-180	514	49.6
0-180	1036	100.0

EFFICACY = 51.8 lm/W
CIE TYPE - GENERAL DIFFUSE
PLANE : 0-DEG 90-DEG 180-DEG
SPACING CRITERIA : 2.74 1.26 1.09

Checked B. HYRE
Approved R. BEATTIE
Lighting Engineer



itl boulder

THE LIGHT CENTER OF THE INDUSTRY SINCE 1955



INDEPENDENT TESTING LABORATORIES, INC.
4066 CAMELOT CIRCLE, LONGMONT, CO 80504 USA

PHONE: (303) 442-1255 • FAX: (970) 535-3114 • E-MAIL: itl@itlboulder.com • WEBSITE: www.itlboulder.com

REPORT NUMBER: ITL82267
ISSUE DATE: 12/29/14
PREPARED FOR: OXYGEN LIGHTING

PAGE: 2 OF 6
REVISED: 04/04/16

LUMINANCE DATA IN CANDELA/SQ M			
ANGLE IN DEG	AVERAGE 0-DEG	AVERAGE 45-DEG	AVERAGE 90-DEG
45	5447.	5214.	4881.
55	5559.	5270.	4650.
65	5648.	5340.	4351.
75	5769.	5394.	3927.
85	5847.	5527.	3191.



INDEPENDENT TESTING LABORATORIES, INC.
4066 CAMELOT CIRCLE, LONGMONT, CO 80504 USA

PHONE: (303) 442-1255 • FAX: (970) 535-3114 • E-MAIL: itl@itlboulder.com • WEBSITE: www.itlboulder.com

REPORT NUMBER: ITL82267
ISSUE DATE: 12/29/14
PREPARED FOR: OXYGEN LIGHTING

PAGE: 3 OF 6
REVISED: 04/04/16

CANDELA DISTRIBUTION
LATERAL ANGLE

	0.0	22.5	45.0	67.5	90.0	112.5	135.0	157.5	180.0
0.0	85	85	85	85	85	85	85	85	85
5.0	98	96	93	89	85	84	83	82	82
10.0	112	109	102	93	84	81	80	79	79
15.0	126	122	111	96	82	79	77	76	75
20.0	139	134	120	99	80	75	73	71	71
25.0	153	146	127	101	76	71	68	67	66
30.0	164	156	134	102	73	66	64	62	61
35.0	176	166	140	103	68	61	58	56	55
40.0	186	175	144	102	63	56	52	50	50
45.0	194	182	148	101	57	50	46	44	43
50.0	202	188	151	99	51	44	40	38	37
55.0	208	193	153	97	45	37	34	32	31
60.0	212	197	154	94	39	31	27	25	24
65.0	215	199	154	91	32	24	21	19	18
70.0	216	199	152	87	26	18	15	13	12
75.0	217	199	150	82	19	12	9	7	6
80.0	215	197	146	77	13	6	4	2	1
85.0	212	194	143	72	7	1	0	0	0
90.0	211	192	140	68	3	0	0	0	0
95.0	210	191	141	72	7	2	0	0	0
100.0	212	195	145	77	13	7	5	3	3
105.0	214	196	148	82	19	13	10	9	8
110.0	213	196	150	86	26	19	16	14	14
115.0	211	195	151	90	32	25	22	20	20
120.0	208	192	151	93	39	31	28	26	26
125.0	203	188	150	95	45	37	34	32	32
130.0	197	184	148	98	51	43	40	38	38
135.0	189	177	145	99	56	49	46	44	43
140.0	180	170	141	100	61	54	52	50	49
145.0	170	161	136	100	66	60	57	55	55
150.0	160	152	130	100	71	65	62	61	60
155.0	148	141	123	98	74	69	67	65	65
160.0	135	130	116	97	77	73	71	70	69
165.0	122	118	108	94	80	76	74	73	73
170.0	108	106	99	90	82	78	77	77	76
175.0	94	93	90	86	83	80	80	79	79
180.0	83	83	83	83	83	83	83	83	83



INDEPENDENT TESTING LABORATORIES, INC.
4066 CAMELOT CIRCLE, LONGMONT, CO 80504 USA

PHONE: (303) 442-1255 • FAX: (970) 535-3114 • E-MAIL: itl@itlboulder.com • WEBSITE: www.itlboulder.com

REPORT NUMBER: ITL82267
ISSUE DATE: 12/29/14
PREPARED FOR: OXYGEN LIGHTING

PAGE: 4 OF 6
REVISED: 04/04/16

5-DEGREE
ZONAL LUMEN SUMMARY

0- 5	2
5- 10	6
10- 15	11
15- 20	15
20- 25	20
25- 30	24
30- 35	28
35- 40	32
40- 45	35
45- 50	37
50- 55	39
55- 60	40
60- 65	41
65- 70	41
70- 75	40
75- 80	38
80- 85	36
85- 90	35
90- 95	35
95-100	36
100-105	38
105-110	39
110-115	40
115-120	40
120-125	40
125-130	39
130-135	37
135-140	34
140-145	31
145-150	28
150-155	24
155-160	19
160-165	15
165-170	11
170-175	6
175-180	2

10-DEGREE
ZONAL LUMEN SUMMARY

0- 10	8
0- 20	35
0- 30	79
0- 40	139
0- 50	211
0- 60	291
0- 70	372
0- 80	450
0- 90	522
0-100	593
0-110	671
0-120	751
0-130	829
0-140	900
0-150	959
0-160	1002
0-170	1028
0-180	1036



INDEPENDENT TESTING LABORATORIES, INC.
4066 CAMELOT CIRCLE, LONGMONT, CO 80504 USA

PHONE: (303) 442-1255 • FAX: (970) 535-3114 • E-MAIL: itl@itlboulder.com • WEBSITE: www.itlboulder.com

REPORT NUMBER: ITL82267

PAGE: 5 OF 6

ISSUE DATE: 12/29/14

REVISED: 04/04/16

PREPARED FOR: OXYGEN LIGHTING

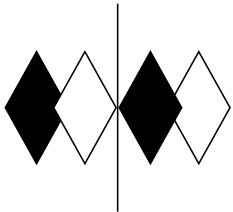
COEFFICIENTS OF UTILIZATION - ZONAL CAVITY METHOD

EFFECTIVE FLOOR CAVITY REFLECTANCE 0.20

RC	80				70				50			30			10			0
	RW	70	50	30	10	70	50	30	10	50	30	10	50	30	10	50	30	10
0	107	107	107	107	99	99	99	99	84	84	84	69	69	69	56	56	56	50
1	94	89	84	79	87	82	77	73	68	65	62	56	53	51	45	43	41	35
2	85	76	68	62	77	69	63	57	58	53	48	47	43	40	37	34	32	27
3	76	65	57	50	70	60	52	46	50	44	39	41	36	32	32	29	26	21
4	69	57	48	41	63	52	44	38	44	37	32	36	31	27	28	24	21	17
5	63	50	41	35	58	46	38	32	39	32	27	31	27	23	25	21	18	15
6	58	45	36	30	53	41	33	27	35	28	23	28	23	19	22	18	15	12
7	54	40	32	26	49	37	29	24	31	25	20	25	20	17	20	16	13	11
8	50	36	28	22	45	34	26	21	28	22	18	23	18	15	18	15	12	9
9	46	33	25	20	42	31	23	18	26	20	16	21	16	13	17	13	10	8
10	43	30	22	17	39	28	21	16	24	18	14	19	15	12	16	12	9	7

ALL CANDELA, LUMENS, LUMINANCE, AND VCP VALUES IN THIS REPORT ARE BASED ON ABSOLUTE PHOTOMETRY. THE COEFFICIENT OF UTILIZATION VALUES ARE BASED ON THE TOTAL ABSOLUTE LUMEN OUTPUT OF THIS TEST SAMPLE.

NOTE: THE ZONAL CAVITY CALCULATION TECHNIQUE IS ACCURATE WHEN LUMINAIRES WITH SYMMETRIC CANDELA DISTRIBUTIONS ARE EMPLOYED AND WHEN THE LUMINAIRES ARE LOCATED SYMMETRICALLY THROUGHOUT THE ROOM. THIS UNIT HAS SPECIAL CHARACTERISTICS AND THEREFORE THESE COEFFICIENTS SHOULD BE USED WITH CAUTION.



itl boulder
THE LIGHT CENTER OF THE INDUSTRY SINCE 1955



INDEPENDENT TESTING LABORATORIES, INC.
4066 CAMELOT CIRCLE, LONGMONT, CO 80504 USA

PHONE: (303) 442-1255 • FAX: (970) 535-3114 • E-MAIL: itl@itlboulder.com • WEBSITE: www.itlboulder.com

REPORT NUMBER: ITL82267
ISSUE DATE: 12/29/14
PREPARED FOR: OXYGEN LIGHTING

PAGE: 6 OF 6
REVISED: 04/04/16

ADDRESS: 201 RAILHEAD ROAD
FORT WORTH, TX 76106

THIS ITL REPORT WITH THE USE OF THE NVLAP LOGO SHALL NOT BE USED BY THE CLIENT TO CLAIM PRODUCT CERTIFICATION, APPROVAL, OR ENDORSEMENT BY NVLAP, NIST, OR ANY AGENCY OF THE FEDERAL GOVERNMENT.