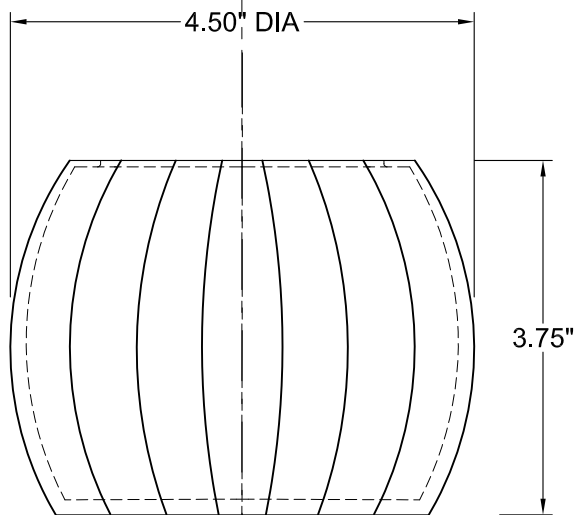
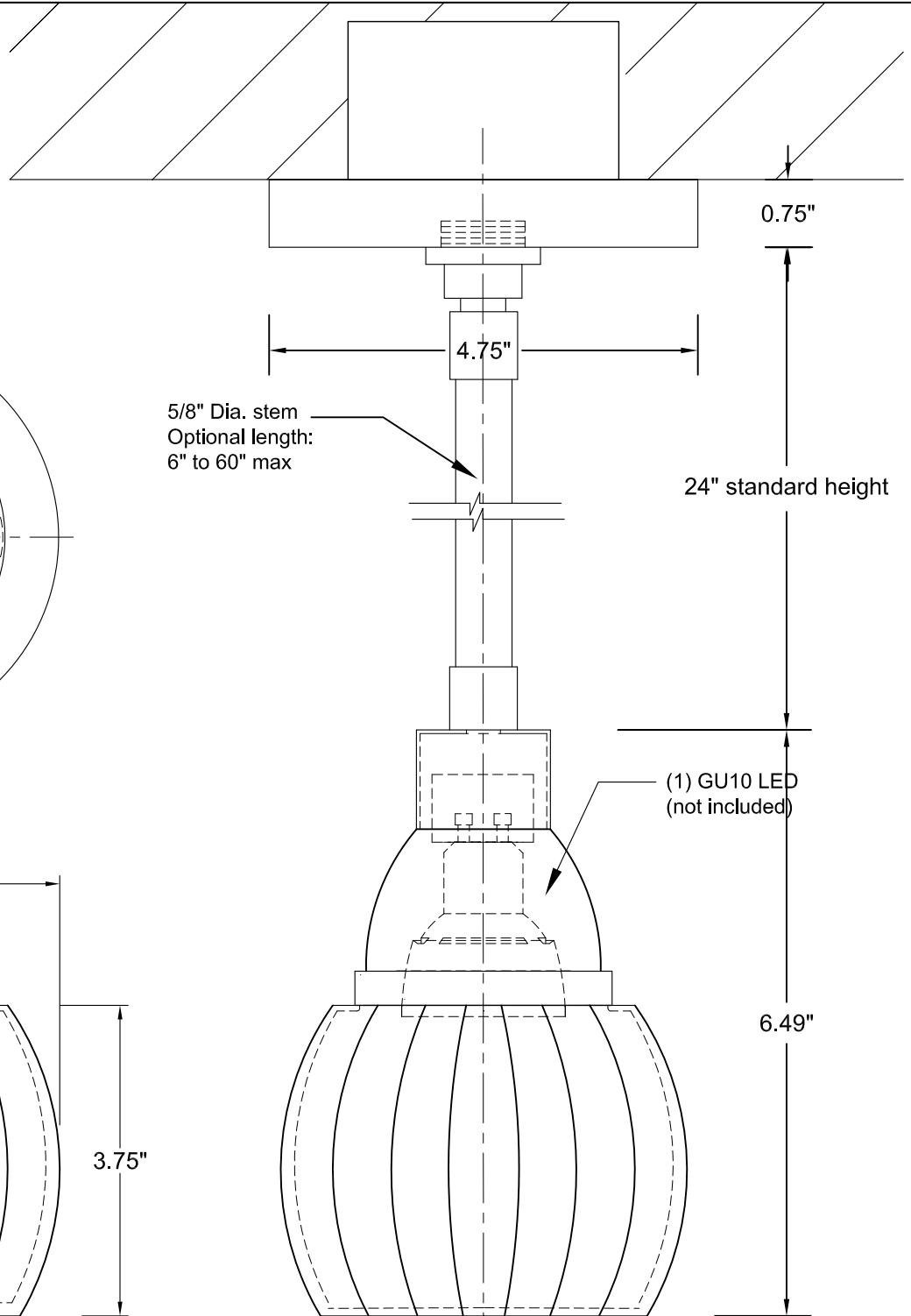


**DIFF. TOP VIEW**



**DIFF. SIDE VIEW**



**FRONT VIEW**

**ELEMENTS mini-pendant  
oxygen 3-8030-14**

OXYGEN LIGHTING ©

**LAMPING**

- o (1x) 7w LED GU10 (not included)
- o 7w MAX
- o GU10 base
- o Initial Lumens (3000K): 520 lm
- o Delivered Lumens: 406 lm

**METAL FINISHES**

- o 14 - Polished Chrome
- o 24 - Satin Nickel

**DIFFUSER**

- o Matte Opal Glass
- o Pepo

**DIMENSIONS**

- o 4.5" (W) X 6.49" (H)
- o 4.75" canopy

**INSTALLATION**

- o 4" octagonal J-Box
- o ETL Dry/Damp Listed
- o ADA
- o Conforms to UL STD 1598
- o Certified CAN/CSA STD C22.2 No. 250.0

**INPUT VOLTAGE**

- o 120v



**Sample Catalog Number**

Series #	Finish	=	Catalog Number
3-8030	24	=	3-8030-24

PROJECT: \_\_\_\_\_

DATE: \_\_\_\_\_

**oxygen**

OXYGEN LIGHTING  
201 RAILHEAD RD, FORT WORTH, TX 76106  
TEL. (877) 607-0202 FAX (877) 607-0203  
WWW.OXYGENLIGHTING.COM

