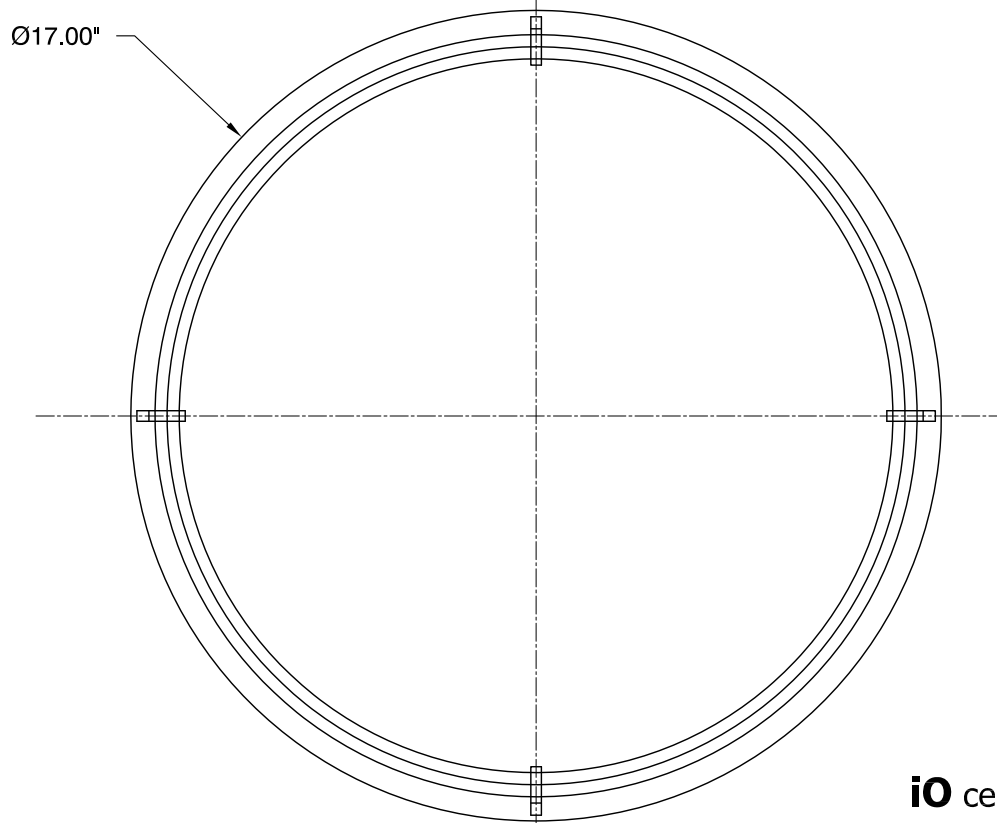


**FRONT VIEW**



**BOTTOM VIEW**

**iO** ceiling mount  
 120v **3-689-24**  
 277v **37-689-24**

OXYGEN LIGHTING ©

**LAMPING**

- o (2x) 10.1w LED Arrays
- o 3000K, 350mA (ea.)
- o Initial Lumens: 2920 lm
- o Delivered Lumens: TBD
- o CRI > 80
- o Color Consistency: 3 step MacAdam Ellipse

**DRIVER (Dimmable)**

- o (2x) 0-10v & Reverse Phase Dimming Constant Current, 12w, 350mA

**METAL FINISHES**

- o 24 - Satin Nickel
- o 40 - Aged Brass

**DIFFUSER**

- o Matte White Acrylic

**INPUT VOLTAGE**

- o 120v OR 277v 50/60Hz

**DIMENSIONS**

- o Ø17.00" x 4.00"(h)

**INSTALLATION**

- o 4" Octagonal J-Box
- o ETL Dry/Damp Listed
- o Conforms to UL STD 1598
- o Certified CAN/CSA STD C22.2 No. 250.0



**Sample Catalog Number**

Series #	Finish	=	Catalog Number
3-689	24	=	3-689-24

**oxygen**

**OXYGEN LIGHTING**  
 201 RAILHEAD RD, FORT WORTH, TX 76106  
 TEL. (877) 607-0202 FAX (877) 607-0203  
 WWW.OXYGENLIGHTING.COM

PROJECT: \_\_\_\_\_

DATE: \_\_\_\_\_

