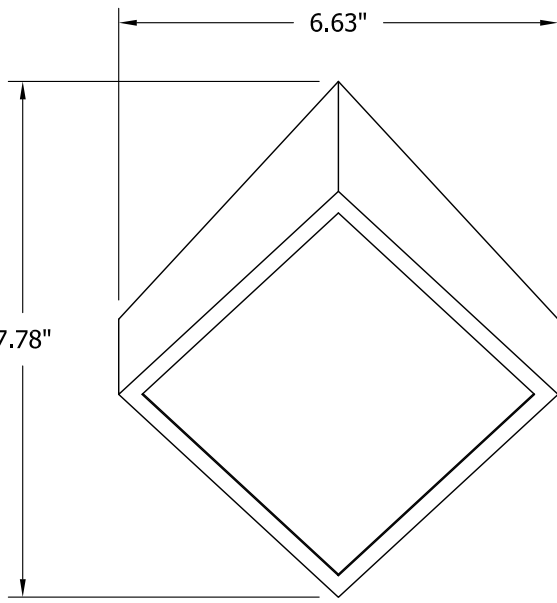
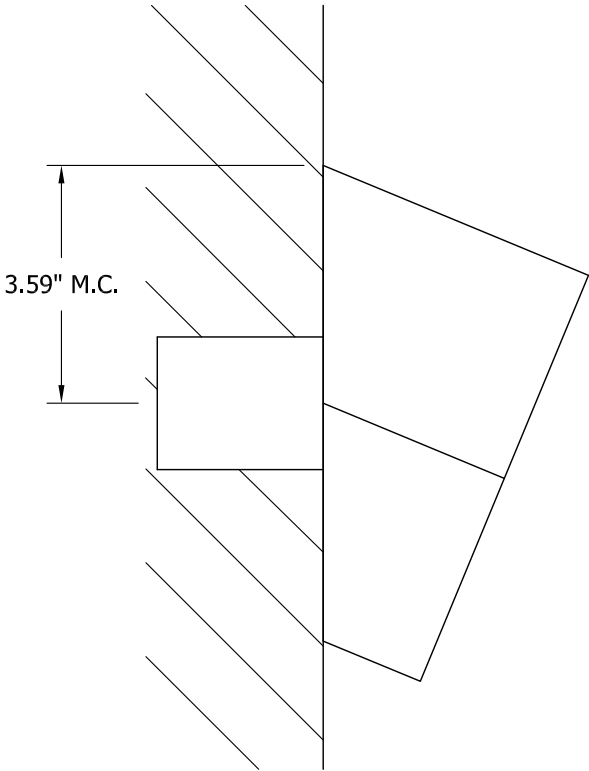


TOP VIEW



FRONT VIEW



SIDE VIEW

ZETA surface
 120v **3-530-40**
 277v **37-530-40**

OXYGEN LIGHTING ©

LAMPING

- o (1x) 8.2w LED array
- o 3000K, 350mA
- o Initial Lumens: 1173 lm
- o Delivered Lumens 326 lm
- o CRI>80
- o 60000 Hr Life Span
- o Color Consistency: 3 Step MacAdam Ellipse

DRIVER (Dimmable)

- o (1x) 0-10v & Reverse Phase Dimming Constant Current, 12W, 350mA

METAL FINISHES

- o **22** - Oiled bronze
- o **24** - Satin nickel
- o **40** - Aged brass

DIFFUSER

- o Matte white acrylic

INPUT VOLTAGE

- o 120v 50/60HZ
- o 277v 50/60HZ

DIMENSIONS

- o 6.63" (w) X 7.78" (h) X 4.00" (ext.)

INSTALLATION

- o 2" x 3" J-Box, 4" Octagon J-Box, 4" x 4" J-Box
- o ETL Dry/Damp Listed
- o ADA
- o Approved for ceiling or wall mount application
- o Conforms to UL STD 1598
- o Certified CAN/CSA STD C22.2 No. 250.0



Sample Catalog Number

Series #	Finish	=	Catalog Number
3-530	24	=	3-530-24

oxygen

OXYGEN LIGHTING
 201 RAILHEAD RD, FORT WORTH, TX 76106
 TEL. (877) 607-0202 FAX (877) 607-0203
 WWW.OXYGENLIGHTING.COM

PROJECT: _____
 DATE: _____

