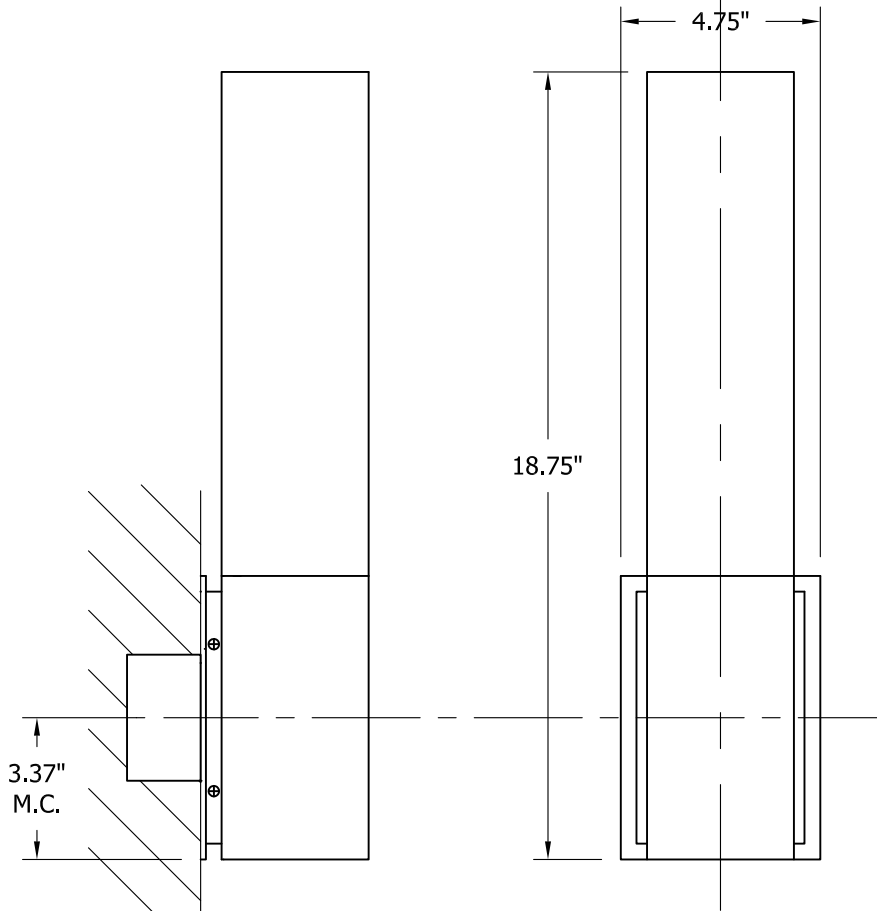


**TOP VIEW**



**SIDE VIEW**

**FRONT VIEW**

**MAGNUM** sconce  
 120v **3-518-40**  
 277v **37-518-40**

OXYGEN LIGHTING ©

**LAMPING**

- o (1x) 12.2w LED Array
- o 3000k, 350mA
- o Initial Lumens: 1752 lm
- o Delivered Lumens: 970 lm
- o CRI > 80
- o Color Consistency: 3 step MacAdam Ellipse

**METAL FINISHES**

- o **14** - Polished Chrome
- o **24** - Satin Nickel
- o **25** - Satin Copper
- o **40** - Aged Brass

**DIMENSIONS**

- o 4.75" (w) x 18.75" (h) x 4.00" (ext.)

**INSTALLATION**

- o 2" x 3" J-Box or 4" Octagonal J-Box
- o ETL Dry/Damp Listed
- o ADA
- o Conforms to UL STD 1598
- o Certified CAN/CSA STD C22.2 No. 250.0

**DRIVER (Dimmable)**

- o (1x) 0-10v & Reverse Phase Dimming, Constant Current, 12w, 350mA

**INPUT VOLTAGE**

- o 120v OR 277v 50/60Hz

**DIFFUSER**

- o Matte White Acrylic



Sample Catalog Number			
Series #	Finish	=	Catalog Number
3-518	24	=	3-518-24

**oxygen**

**OXYGEN LIGHTING**  
 201 RAILHEAD RD, FORT WORTH, TX 76106  
 TEL. (877) 607-0202 FAX (877) 607-0203  
 WWW.OXYGENLIGHTING.COM

PROJECT: \_\_\_\_\_  
 DATE: \_\_\_\_\_

