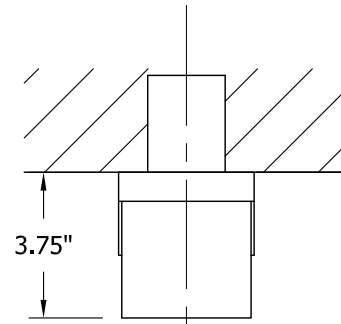
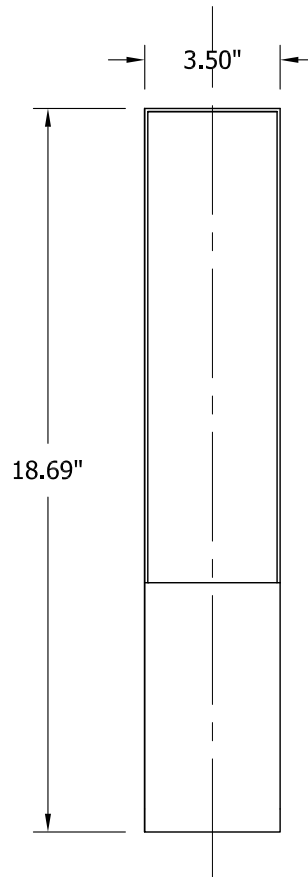


SIDE VIEW



TOP VIEW



FRONT VIEW

CRESCENT sconce
 120v **3-513-25**
 277v **37-513-25**

OXYGEN LIGHTING ©

LAMPING

- o (1x) 10.1w LED array
- o 3000K, 350mA
- o Initial Lumens: 1460 lm
- o Delivered Lumens: 1100 lm
- o CRI > 80
- o Color Consistency: 3 Step MacAdam Ellipse

DRIVER (Dimmable)

- o (1x) 0-10v & Reverse Phase Dimming Constant Current, 12w, 350mA

METAL FINISHES

- o **14** - Polished Chrome
- o **24** - Satin Nickel
- o **25** - Satin Copper

DIFFUSER

- o Matte White Acrylic

INPUT VOLTAGE

- o 120v OR 277v 50/60Hz

DIMENSIONS

- o 18.69" (h) X 3.50" (w) x 3.75" (ext.)

INSTALLATION

- o 2" x 3" J-Box
- o ETL Dry/Damp Listed
- o ADA
- o Conforms to UL STD 1598
- o Certified CAN/CSA STD C22.2 No. 250.0



Sample Catalog Number

Series #	Finish	=	Catalog Number
3-513	24	=	3-513-24

oxygen

OXYGEN LIGHTING
 201 RAILHEAD RD, FORT WORTH, TX 76106
 TEL. (877) 607-0202 FAX (877) 607-0203
 WWW.OXYGENLIGHTING.COM

PROJECT: _____

DATE: _____