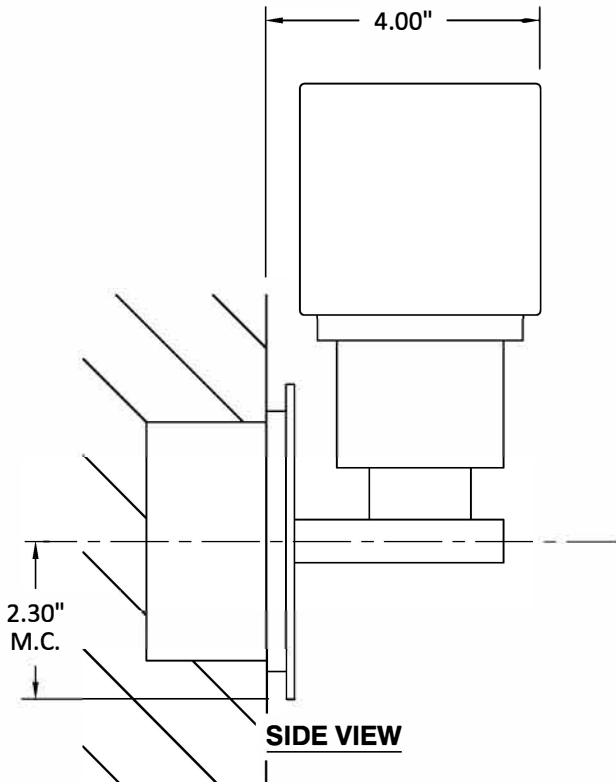
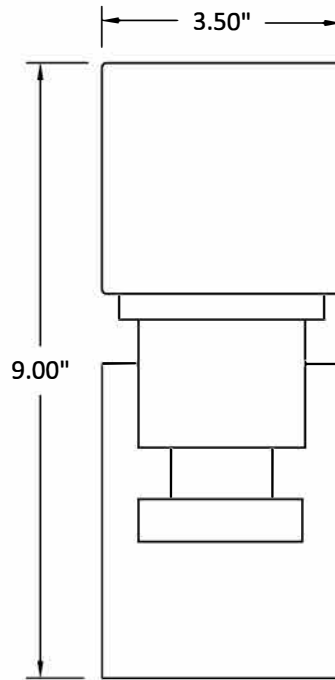


TOP VIEW

NOTE:
ABLE TO MOUNT
LAMP UP OR DOWN



SIDE VIEW



FRONT VIEW

ELEMENTS sconce
oxygen **3-5120-14**

LAMPING

- o (1x) 7w LED GU10 (not included)
- o 7w MAX
- o GU10 base
- o Initial Lumens (3000K): 520 lm
- o Delivered Lumens (3000K): 450 lm

METAL FINISHES

- o 14 - Polished Chrome
- o 24 - Satin Nickel

DIFFUSERS

- o White Opal Glass
- o Round

DIMENSIONS

- o 3.5" W x 9" H x 4" E (ext. from wall)

INSTALLATION

- o 2" x 3" "J" - Box
- o ETL Dry/Damp Listed
- o ADA
- o Conforms to UL STD 1598
- o Certified CAN/CSA STD C22.2 No. 250.0

INPUT VOLTAGE

- o 120v



Sample Catalog Number

Series #	Finish	=	Catalog Number
3-5120	24	=	3-5120-24

oxygen

OXYGEN LIGHTING
201 RAILHEAD RD, FORT WORTH, TX 76106
TEL. (877) 607-0202 FAX (877) 607-0203
WWW.OXYGENLIGHTING.COM

PROJECT: _____

DATE: _____

