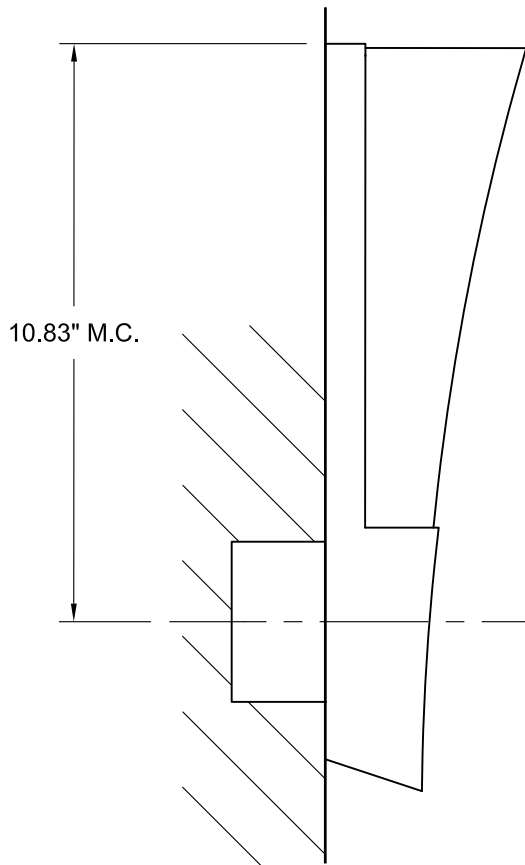


**TOP VIEW**



**SIDE VIEW**



**FRONT VIEW**

OXYGEN LIGHTING ©

**CRESCENT** sconce  
 120v **3-512-24**  
 277v **37-512-24**

**LAMPING**

- o (1x) 10.1w LED Array
- o 3000K, 350mA
- o Initial Lumens: 1460 lm
- o Delivered Lumens: 809 lm
- o CRI > 80
- o Color Consistency: 3 step MacAdam Ellipse

**METAL FINISHES**

- o **14** - Polished Chrome
- o **24** - Satin Nickel
- o **25** - Satin Copper

**DIMENSIONS**

- o 3.50" (w) x 14.00" (h) x 3.75" (ext.)

**INSTALLATION**

- o 2" x 3" J-Box
- o ETL Dry/Damp Listed
- o ADA
- o Conforms to UL STD 1598
- o Certified CAN/CSA STD C22.2 No. 250.0

**DIFFUSER**

- o Matte White Acrylic

**DRIVER (Dimmable)**

- o (1x) 0-10v & Reverse Phase Dimming Constant Current, 12w, 350mA

**INPUT VOLTAGE**

- o 120v OR 277v 50/60Hz



**Sample Catalog Number**

Series #	Finish	=	Catalog Number
3-512	24	=	3-512-24

**oxygen**

OXYGEN LIGHTING  
 201 RAILHEAD RD, FORT WORTH, TX 76106  
 TEL. (877) 607-0202 FAX (877) 607-0203  
 WWW.OXYGENLIGHTING.COM

PROJECT: \_\_\_\_\_  
 DATE: \_\_\_\_\_

