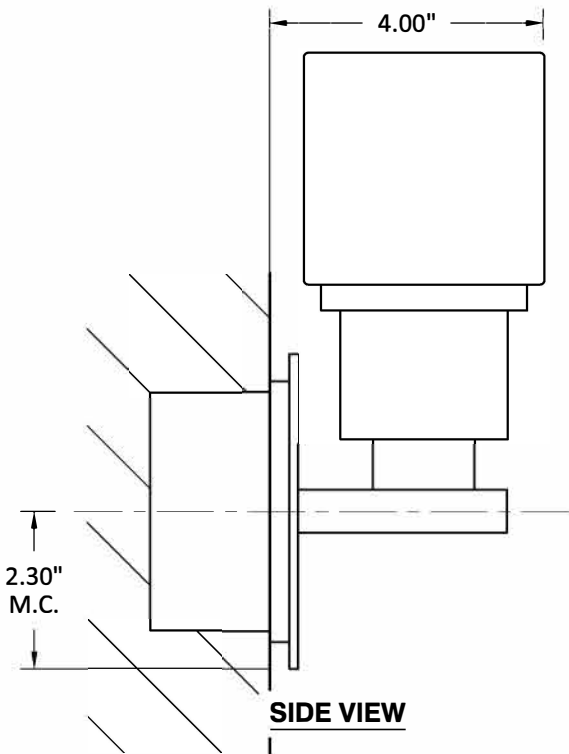
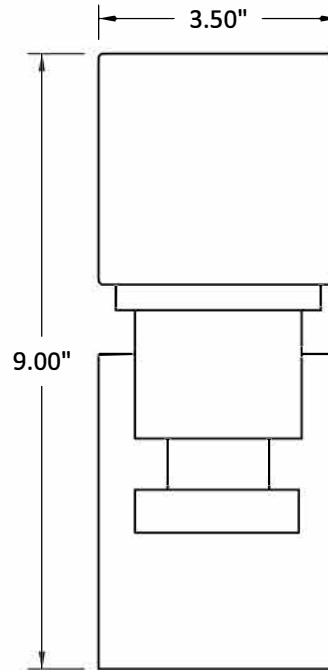


**TOP VIEW**

**NOTE:**  
ABLE TO MOUNT  
LAMP UP OR DOWN



**SIDE VIEW**



**FRONT VIEW**

**ELEMENTS** sconce  
oxygen **3-5110-14**

**LAMPING**

- o (1x) 7w LED GU10 (not included)
- o 7w MAX
- o GU10 base
- o Initial Lumens (3000K): 520 lm
- o Delivered Lumens (3000K): 457 lm

**METAL FINISHES**

- o 14 - Polished Chrome
- o 24 - Satin Nickel

**DIMENSIONS**

- o 3.50"(w) X 9.00" (h) X 4" (ext. from wall)

**INSTALLATION**

- o 2" x 3" "J" - Box
- o ETL Dry/Damp Listed
- o ADA
- o Conforms to UL STD 1598
- o Certified CAN/CSA STD C22.2 No. 250.0

**INPUT VOLTAGE**

- o 120v

**DIFFUSER**

- o White Opal Glass
- o Square



**Sample Catalog Number**

Series #	Finish	=	Catalog Number
3-5110	24	=	3-5110-24

**oxygen**

**OXYGEN LIGHTING**  
201 RAILHEAD RD, FORT WORTH, TX 76106  
TEL. (877) 607-0202 FAX (877) 607-0203  
WWW.OXYGENLIGHTING.COM

PROJECT: \_\_\_\_\_

DATE: \_\_\_\_\_

