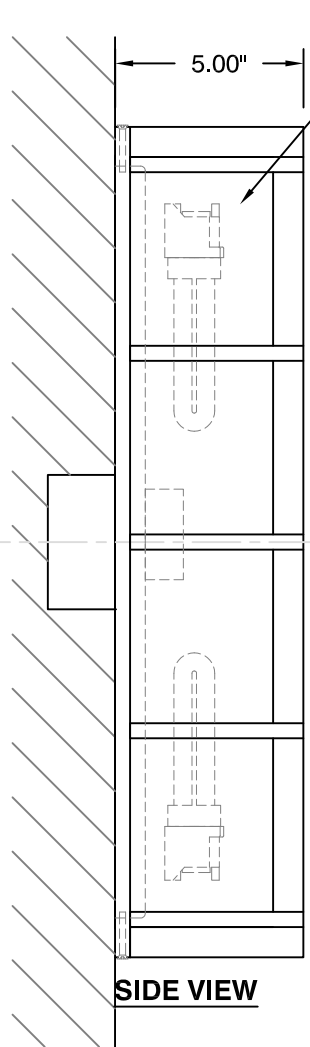
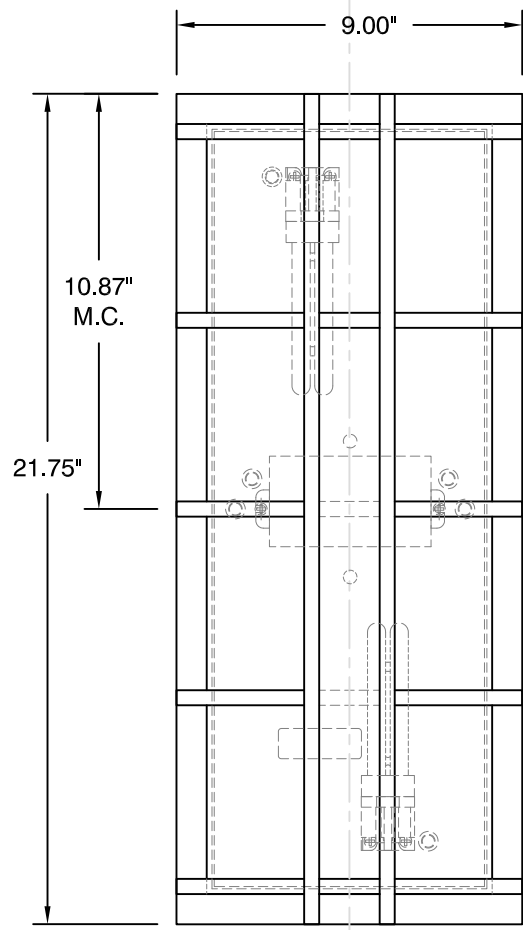


TOP VIEW



SIDE VIEW



FRONT VIEW

TELSHOR sconce
oxygen **2-711-224**

OXYGEN LIGHTING ©

LAMPING

- o 2x26W Quad Fluorescent G24q-3 base
- o Initial Lumens: 3420 lm

BALLAST

- o HPF Electronic, Programmed Start
- o 120v-277v Univ. Voltage

METAL FINISH

- o 24 - Satin Nickel

DIFFUSER

- o 2 - Matte White Acrylic

VOLTAGE

- o 120v-277v Universal Voltage

DIMENSIONS

- o 9.00" (w) x 21.75" (h)
- o 5.00" ext. from wall

SPECIAL NOTE

- o Add caulking around fixture base at the wall to prevent water from entering fixture.

INSTALLATION

- o 4" octagonal J-Box
- o UL Wet Listed



Sample Catalog Number

Series #	Diffuser	Finish	Catalog Number
2-711	- 2	- 24	= 2-711-224

oxygen

OXYGEN LIGHTING
201 RAILHEAD RD, FORT WORTH, TX 76106
TEL. (877) 607-0202 FAX (877) 607-0203
WWW.OXYGENLIGHTING.COM

PROJECT: _____
DATE: _____

