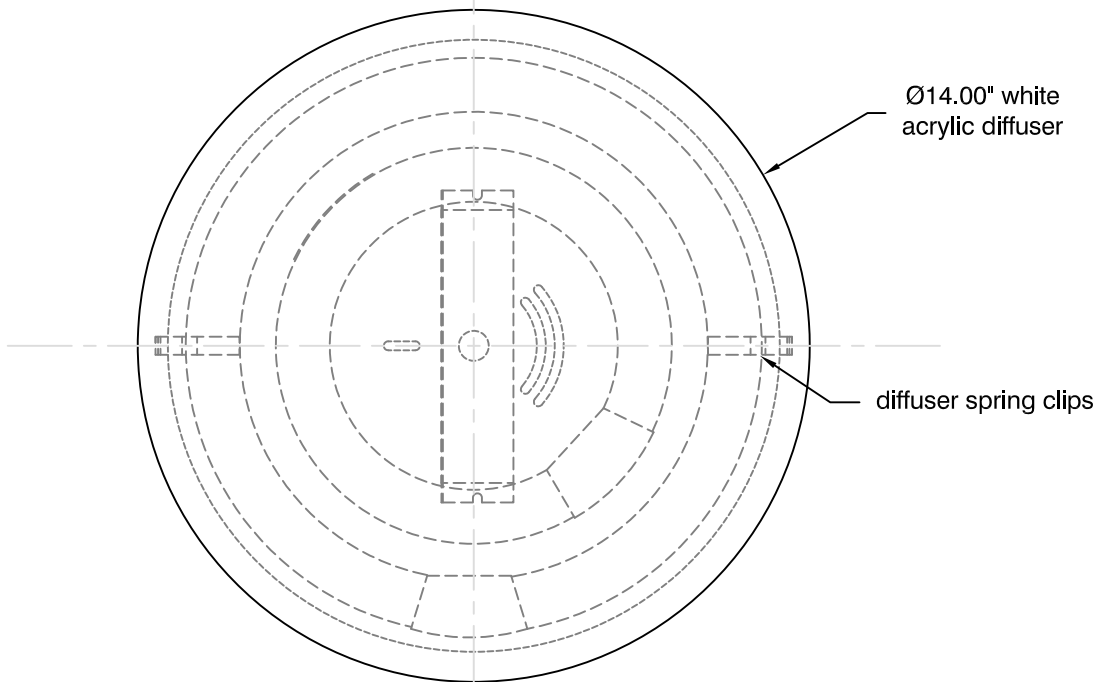


SIDE VIEW



BOTTOM VIEW

RHYTHM ceiling mount
oxygen **2-6139-6**

OXYGEN LIGHTING ©

LAMPING

- o 1x22W +32W T9 circline fluorescent (G10q)
- o Initial Lumens: 3000 lm

BALLAST

- o Electronic HPF, Instant Start

VOLTAGE

- o 120V

METAL FINISH

- o 6 - White

DIFFUSER

- o Matte White Acrylic

DIMENSIONS

- o Ø14" x 2.75"(h)

INSTALLATION

- o 4" octagonal J-Box
- o UL Damp Listed



Sample Catalog Number

Series #	Finish	Catalog Number
2-6139	- 6	= 2-6139-6

oxygen

OXYGEN LIGHTING
201 RAILHEAD RD, FORT WORTH, TX 76106
TEL. (877) 607-0202 FAX (877) 607-0203
WWW.OXYGENLIGHTING.COM

PROJECT: _____

DATE: _____

