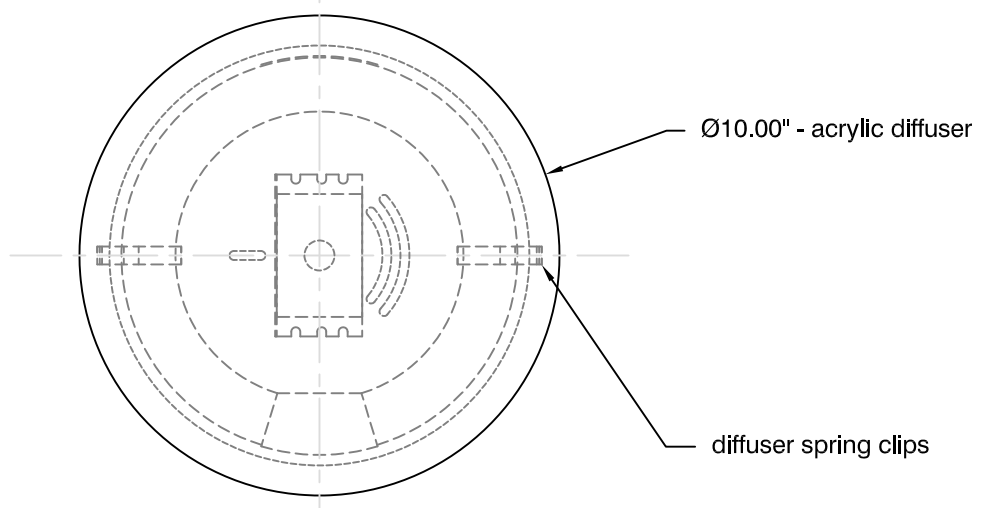


SIDE VIEW



BOTTOM VIEW

RHYTHM ceiling mount
oxygen **2-6138-6**

OXYGEN LIGHTING ©

LAMPING
 o 1x22W T9 circline fluorescent (G10q)
 o Initial Lumens: 1050 lm

METAL FINISH
 o 6 - White

DIMENSIONS
 o Ø10" x 3"(h)

INSTALLATION
 o 4" octagonal J-Box
 o UL Damp Listed

BALLAST
 o Electronic HPF, Instant Start

DIFFUSER
 o Matte White Acrylic



VOLTAGE
 o 120V

Sample Catalog Number

Series #	Finish	Catalog Number
2-6138	- 6	= 2-6138-6

oxygen

OXYGEN LIGHTING
 201 RAILHEAD RD, FORT WORTH, TX 76106
 TEL. (877) 607-0202 FAX (877) 607-0203
 WWW.OXYGENLIGHTING.COM

PROJECT: _____
 DATE: _____

