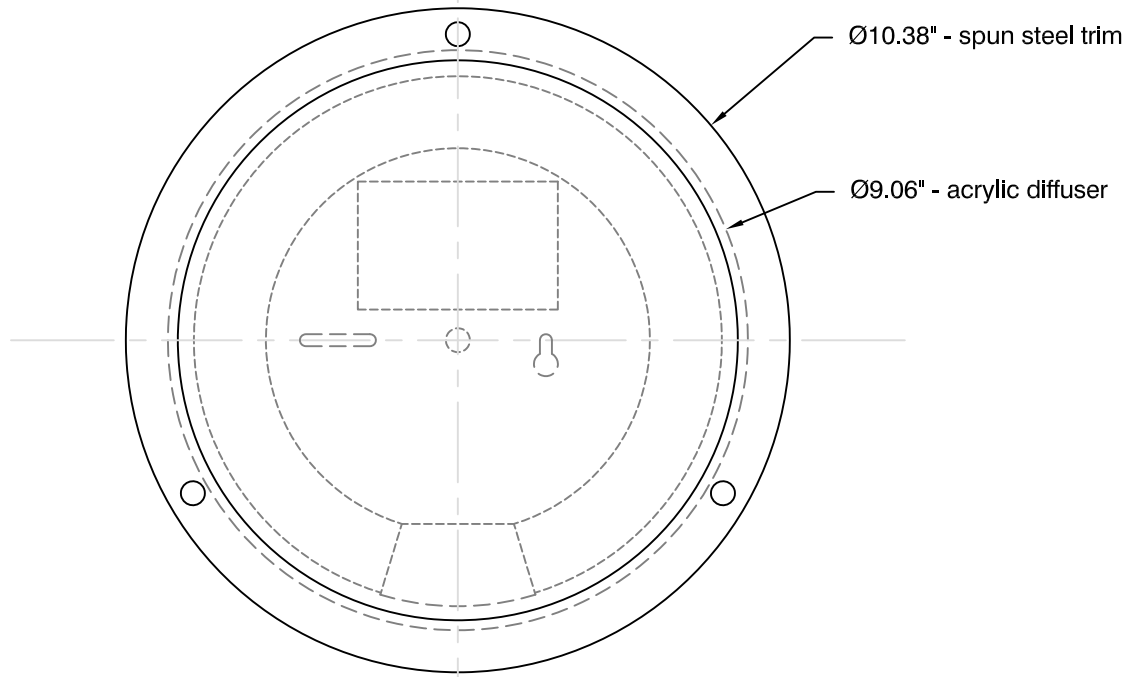


**SIDE VIEW**



**BOTTOM VIEW**

**ORACLE** ceiling mount oxygen **2-6109-24**

OXYGEN LIGHTING ©

**LAMPING**

- o 1x22W T9 circline fluorescent
- o Initial Lumens: 1050 lm
- o Delivered Lumens: 456 lm

**BALLAST**

- o Electronic HPF, Instant Start

**METAL FINISH**

- o 24 - Satin Nickel

**DIFFUSER**

- o Matte White Acrylic

**VOLTAGE**

- o 120V

**DIMENSIONS**

- o Ø10.38" x 3.44"(h)

**INSTALLATION**

- o 4" octagonal J-Box
- o UL Damp Listed
- o Approved for ceiling or wall mounting
- o ADA

**Sample Catalog Number**



Series #	Finish	Catalog Number
2-6109	- 24	= 2-6109-24

**oxygen**

**OXYGEN LIGHTING**  
 201 RAILHEAD RD, FORT WORTH, TX 76106  
 TEL. (877) 607-0202 FAX (877) 607-0203  
 WWW.OXYGENLIGHTING.COM

PROJECT: \_\_\_\_\_  
 DATE: \_\_\_\_\_

