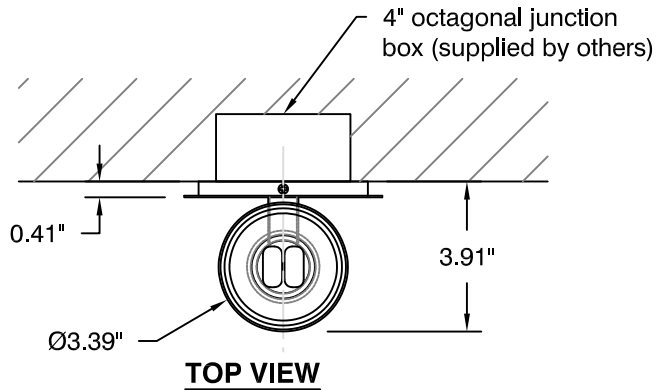
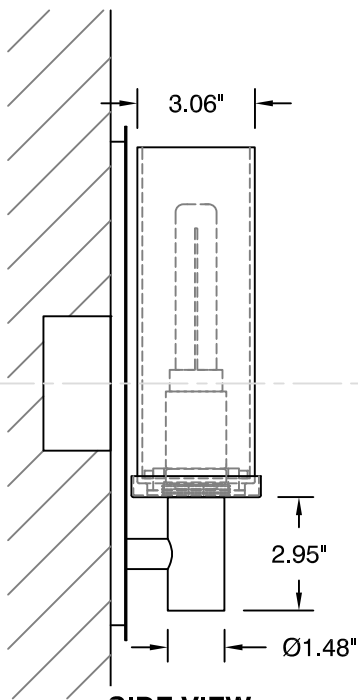


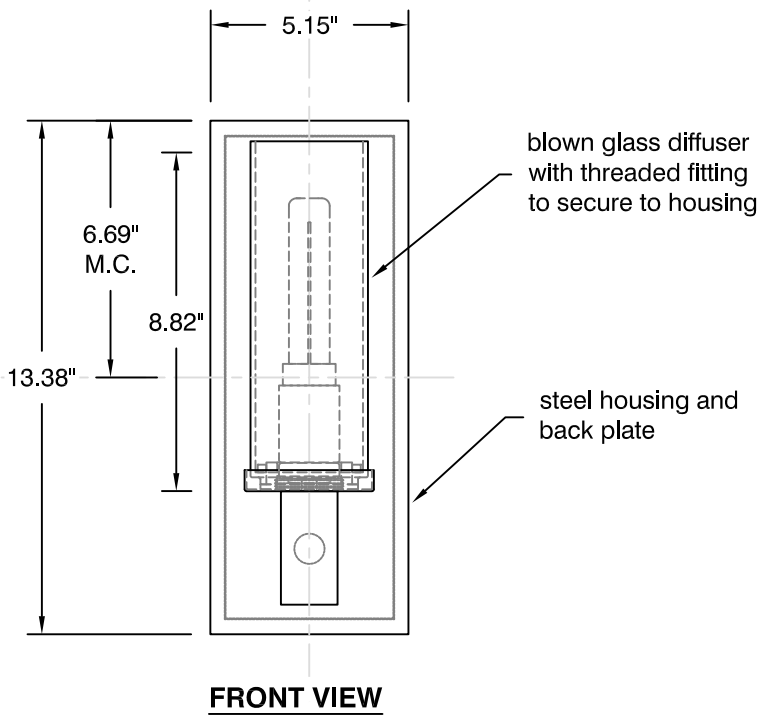
**PERSPECTIVE**



**TOP VIEW**



**SIDE VIEW**



**FRONT VIEW**

**MANTRA** sconce  
oxygen **2-5127-14**

OXYGEN LIGHTING ©

**LAMPING**

- o 1x18W quad tube, 4-pin compact fluorescent (G24q-2)
- o Initial Lumens: 1150 lm

**BALLAST**

- o Electronic NPF, Rapid Start

**VOLTAGE**

- o 120V

**METAL FINISHES**

- o 14 - Polished Chrome
- o 24 - Satin Nickel

**DIFFUSER**

- o White Opal Glass

**OPTIONS**

- o 3 - Perforated Sleeve

**DIMENSIONS**

- o 5" (w) x 13.38" (h)
- o 4.00" ext. from wall

**INSTALLATION**

- o 4" octagonal J-Box
- o UL Damp Listed
- o ADA



**Sample Catalog Number**

Series #	Finish	Catalog Number
2-5127	- 24	= 2-5127-24

**oxygen**

OXYGEN LIGHTING  
201 RAILHEAD RD, FORT WORTH, TX 76106  
TEL. (877) 607-0202 FAX (877) 607-0203  
WWW.OXYGENLIGHTING.COM

PROJECT: \_\_\_\_\_

DATE: \_\_\_\_\_

