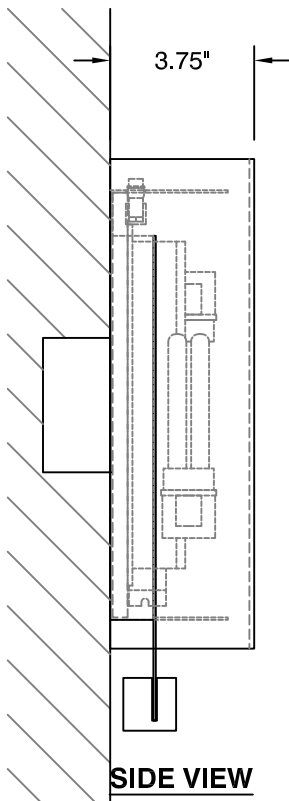
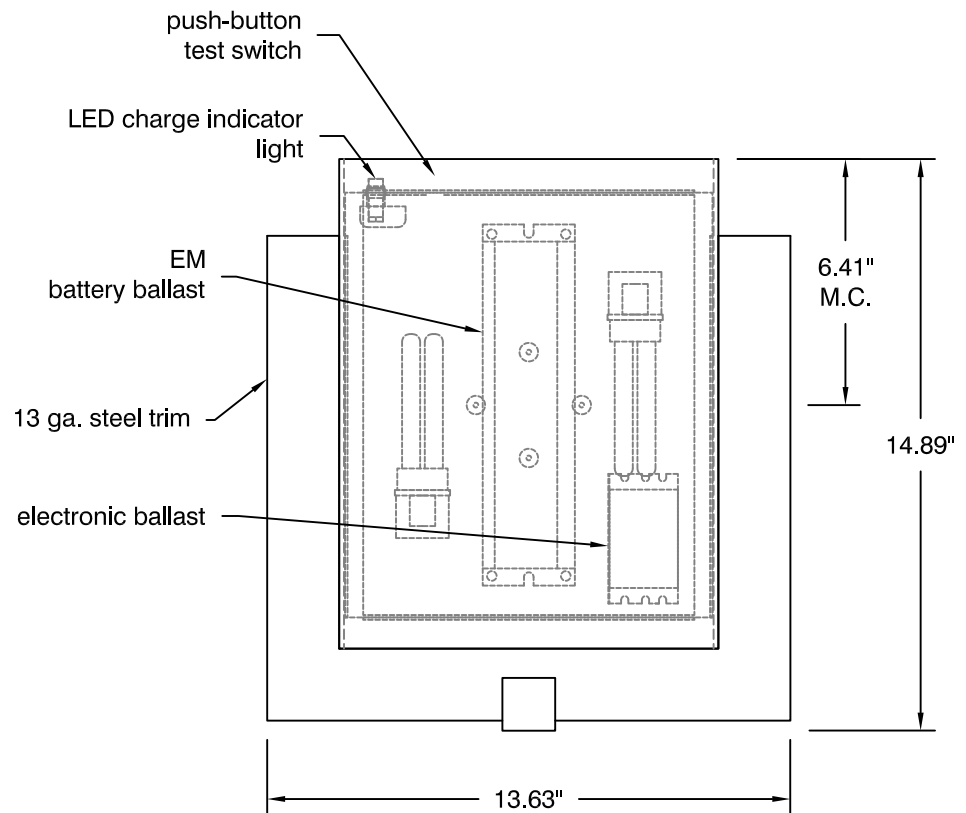


**TOP VIEW**



**SIDE VIEW**



**FRONT VIEW**

**PATHWAYS** sconce  
oxygen **2-5118-624-EM**

OXYGEN LIGHTING ©

**LAMPING**

- o 2x13W quad tube compact fluorescent (G24q-1) (recommend using lamps with End Of Life protection)
- o Initial Lumens: 1800 lm

**BALLAST**

- o Electronic, HPF Programmed Start

**EM BALLAST**

- o EM - integral Bodine B94G series

**METAL FINISHES**

- o 24 - Satin Nickel
- o 95 - Old World

**DIFFUSERS**

- o 2 - Matte White Acrylic
- o 3 - Tobacco Acrylic
- o 6 - Silver Cloth Acrylic

**VOLTAGE**

- o 120V

**DIMENSIONS**

- o 13.63" (w) x 14.89" (h) 3.75" ext. from wall

**INSTALLATION**

- o 4" octagonal J-Box
- o UL Damp Listed
- o ADA



**Sample Catalog Number**

Series #	Diffuser	Finish	EM ballast	Catalog number
2-5118	- 1	24	- EM	= 2-5118-124-EM

**oxygen**

OXYGEN LIGHTING  
201 RAILHEAD RD, FORT WORTH, TX 76106  
TEL. (877) 607-0202 FAX (877) 607-0203  
WWW.OXYGENLIGHTING.COM

PROJECT: \_\_\_\_\_

DATE: \_\_\_\_\_

