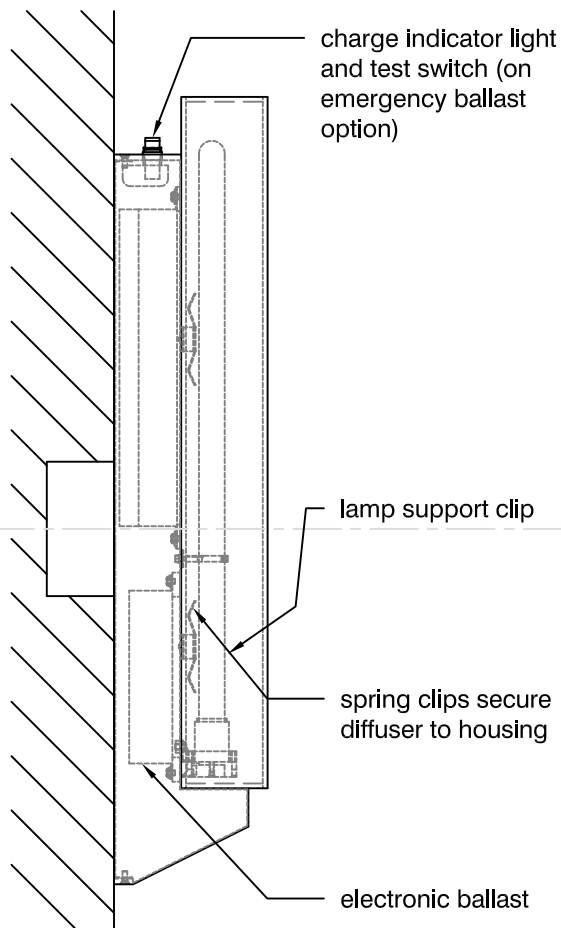
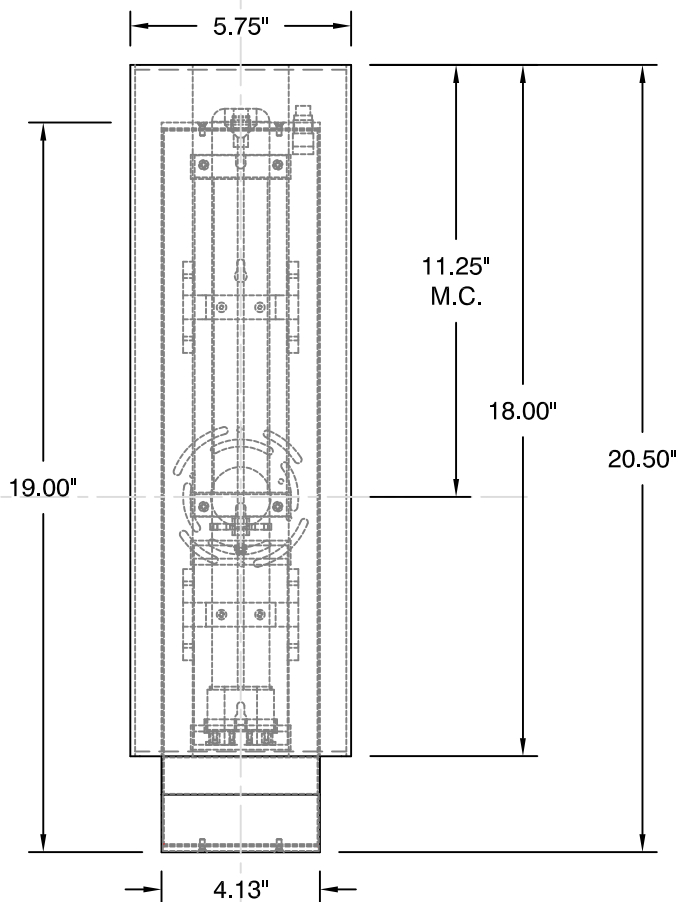


TOP VIEW



SIDE VIEW



FRONT VIEW

POLARIS sconce
oxygen **2-5112-24**

OXYGEN LIGHTING ©

LAMPING

- o 1x39W twin tube 4-pin (2G11 base)
- o Initial Lumens: 2900 lm
- o Delivered Lumens: 1298 lm

BALLAST

- o Electronic, HPF Programmed Start

VOLTAGE

- o 120/277v

METAL FINISH

- o 24 - Satin Nickel

DIFFUSER

- o Matte White Acrylic

OPTION

- o EM - Bodine B94G Emergency Ballast

DIMENSIONS

- o 5.75" (w) x 20.5" (h) 4" ext. from wall

INSTALLATION

- o 4" octagonal J- Box
- o UL damp listed
- o ADA



Sample Catalog Number

Series #	Finish	Catalog Number
2-5112	- 24	= 2-5112-24

oxygen

OXYGEN LIGHTING
201 RAILHEAD RD, FORT WORTH, TX 76106
TEL. (877) 607-0202 FAX (877) 607-0203
WWW.OXYGENLIGHTING.COM

PROJECT: _____
DATE: _____

