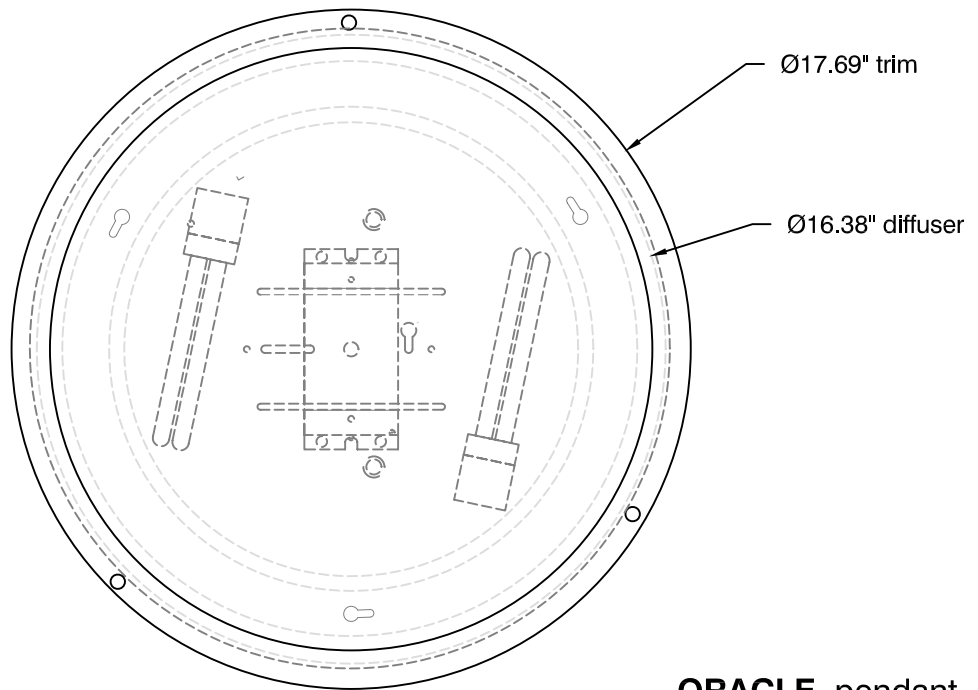


**SIDE VIEW**



**BOTTOM VIEW**

**ORACLE** pendant  
oxygen **CDX-2183**

OXYGEN LIGHTING ©

**LAMPING**

- o 2x26w G24q-3

**DIFFUSER**

- o matte white acrylic

**STEM**

- o 6" STEM (7/8"Ø)

**INSTALLATION**

- o 4" octagonal "J"-Box
- o UL Damp Listed

**BALLAST**

- o electronic HPF, instant start

**METAL FINISH**

- o satin nickel



**VOLTAGE**

- o 120/277V

**oxygen**

**OXYGEN LIGHTING**  
201 RAILHEAD RD, FORT WORTH, TX 76106  
TEL. (877) 607-0202 FAX (877) 607-0203  
WWW.OXYGENLIGHTING.COM

PROJECT: \_\_\_\_\_

DATE: \_\_\_\_\_