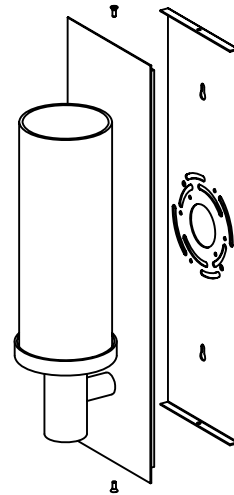
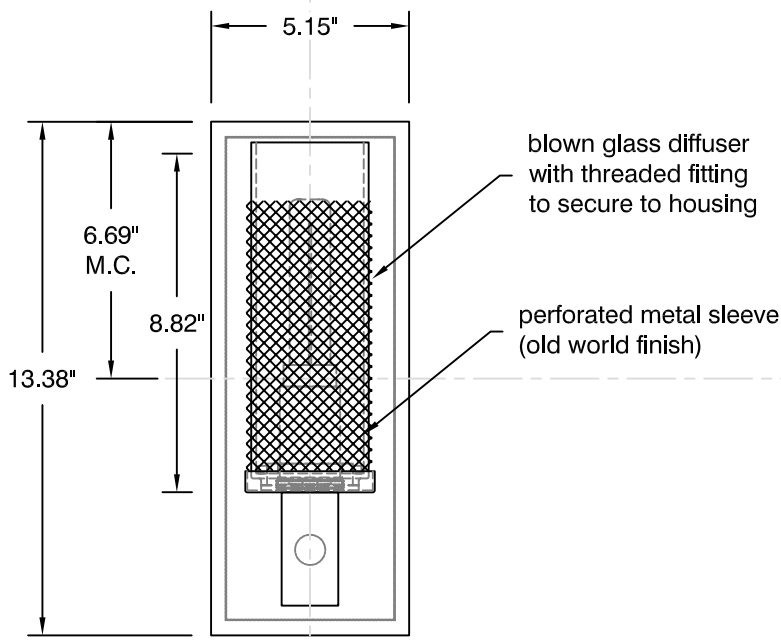


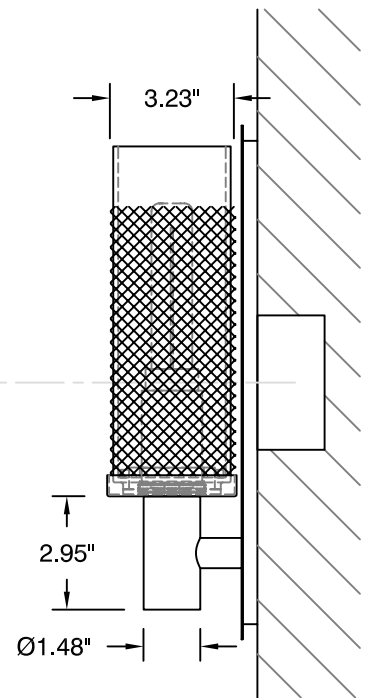
**TOP VIEW**



**PERSPECTIVE**



**FRONT VIEW**



**SIDE VIEW**

**MANTRA** sconce  
oxygen **CDX-2126**

OXYGEN LIGHTING ©

**LAMPING**

- o 1x18w G24q-2

**DIFFUSER**

- o white opal glass
- o w/ perforated metal sleeve

**DIMENSIONS**

- o 5" (w) x 13.38" (h) 4.00" ext. from wall

**INSTALLATION**

- o 4" octagonal "J"- Box
- o UL Damp Listed
- o ADA

**BALLAST**

- o electronic NPF, rapid start

**METAL FINISH**

- o old world



**VOLTAGE**

- o 120V

**oxygen**

OXYGEN LIGHTING  
201 RAILHEAD RD, FORT WORTH, TX 76106  
TEL. (877) 607-0202 FAX (877) 607-0203  
WWW.OXYGENLIGHTING.COM

PROJECT: \_\_\_\_\_

DATE: \_\_\_\_\_