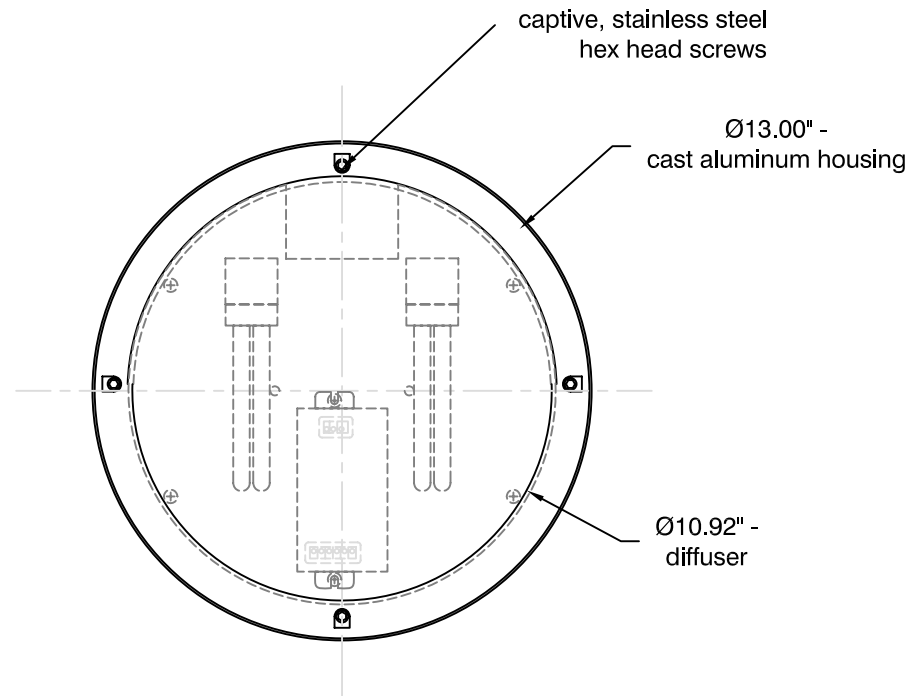


**FRONT VIEW**



**BOTTOM VIEW**

OXYGEN LIGHTING ©

**REGIO outdoor**  
oxygen **CDX-2111**

**LAMPING**

- o 2x18w G24q-2

**DIFFUSER**

- o injection molded matte white polycarbonate

**DIMENSIONS**

- o 13" (Ø) x 4.30" (ext)

**INSTALLATION**

- o 4" octagonal "J"- Box
- o UL approved for wet locations, (installer must provide a bead of caulk between fixture housing and mounting surface)
- o wall or ceiling mount



**BALLAST**

- o electronic, HPF programmed start Advance Mark 7 dimming

**METAL FINISH**

- o white [polyester powdercoat]

**VOLTAGE**

- o 120V to 277V

**oxygen**

**OXYGEN LIGHTING**  
201 Rallhead Rd - Ft Worth, TX 76106  
TEL. (877) 607-0202 FAX (877) 607-0203  
www.oxygenlighting.com

PROJECT: \_\_\_\_\_

DATE: \_\_\_\_\_