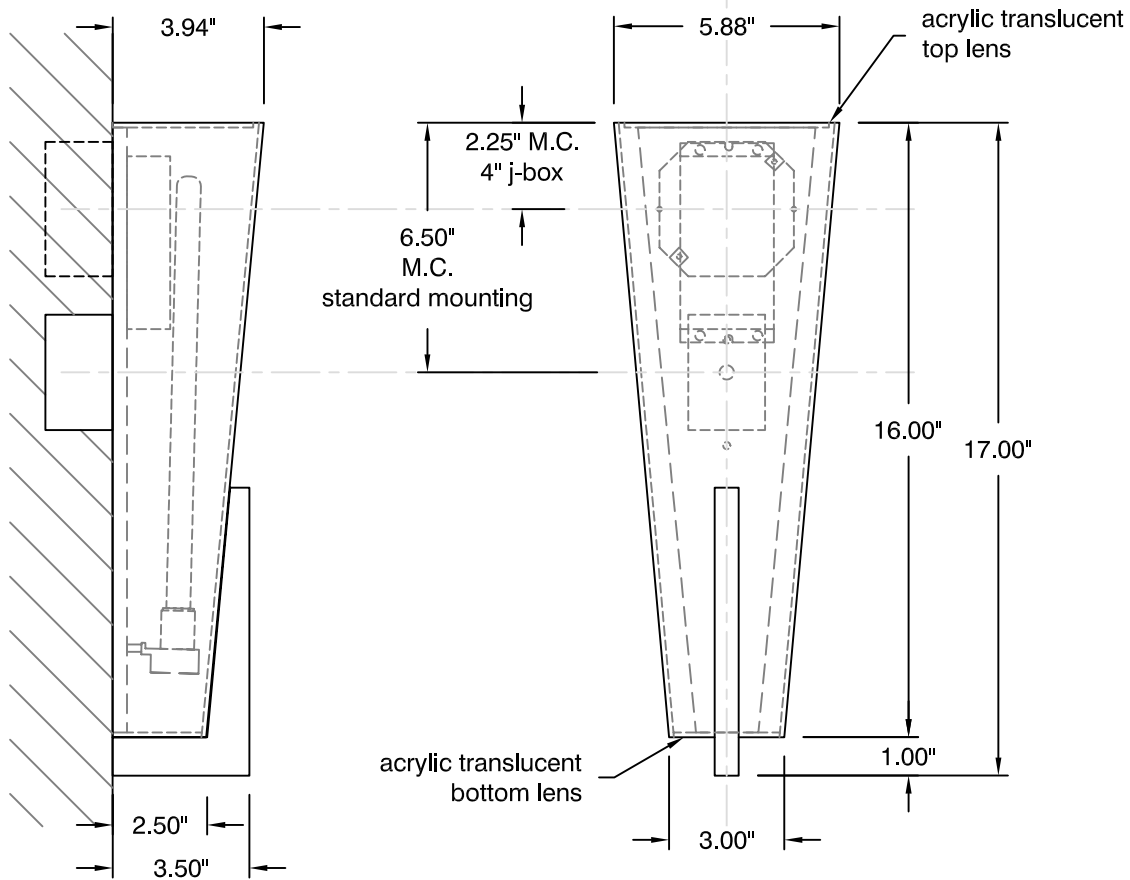


TOP VIEW



SIDE VIEW

FRONT VIEW

SONGBIRD sconce
oxygen **CDX-2093**

OXYGEN LIGHTING ©

LAMPING

- o 1-24W twin tube compact fluorescent, 2G11 base

DIFFUSER

- o matte white acrylic

DIMENSIONS

- o 5.875" (w) x 17" (h)
4" ext. from wall

INSTALLATION

- o 2" x 3" or 4" octagonal "J"- Box
- o UL Damp Listed
- o ADA

BALLAST

- o electronic, HPF programmed start

METAL FINISH

- o old world

VOLTAGE

- o 120V to 277V



oxygen

OXYGEN LIGHTING
201 Railhead Rd - Ft Worth, TX 76106
TEL. (877) 607-0202 FAX (877) 607-0203
www.oxygenlighting.com

PROJECT: _____

DATE: _____