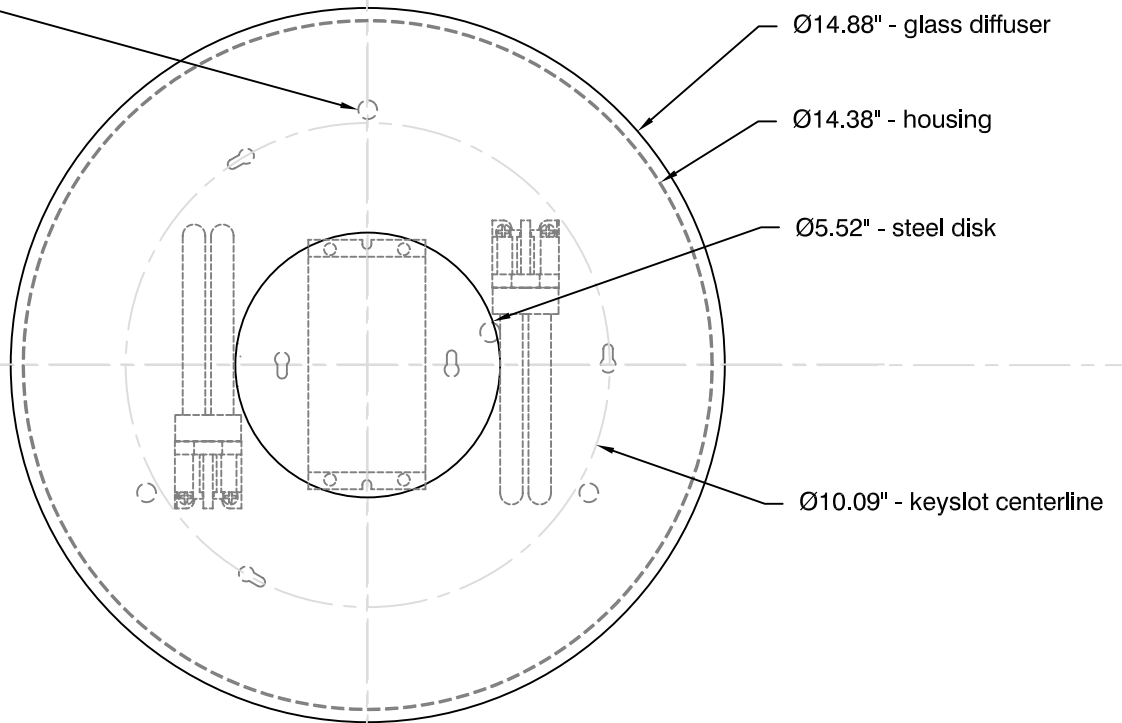


standoffs on back side of housing (x3)



**DIONE** ceiling mount  
oxygen **CDX-2056**

OXYGEN LIGHTING ©

**LAMPING**

- o 2x18w G24q-2

**BALLAST**

- o electronic HPF, programmed start, Advance Mark 7 dimming

**DIFFUSER**

- o frosted glass (white painted top side)

**METAL FINISH**

- o satin nickel

**DIMENSIONS**

- o 14.88"(w) x 2.49"(h)

**VOLTAGE**

- o 120V to 277V

**INSTALLATION**

- o 4" octagonal "J"-Box
- o UL Damp Listed
- o Ceiling or wall mount



**oxygen**

**OXYGEN LIGHTING**  
201 Rallhead Rd - Ft Worth, TX 76106  
TEL. (877) 607-0202 FAX (877) 607-0203  
www.oxygenlighting.com

PROJECT: \_\_\_\_\_

DATE: \_\_\_\_\_