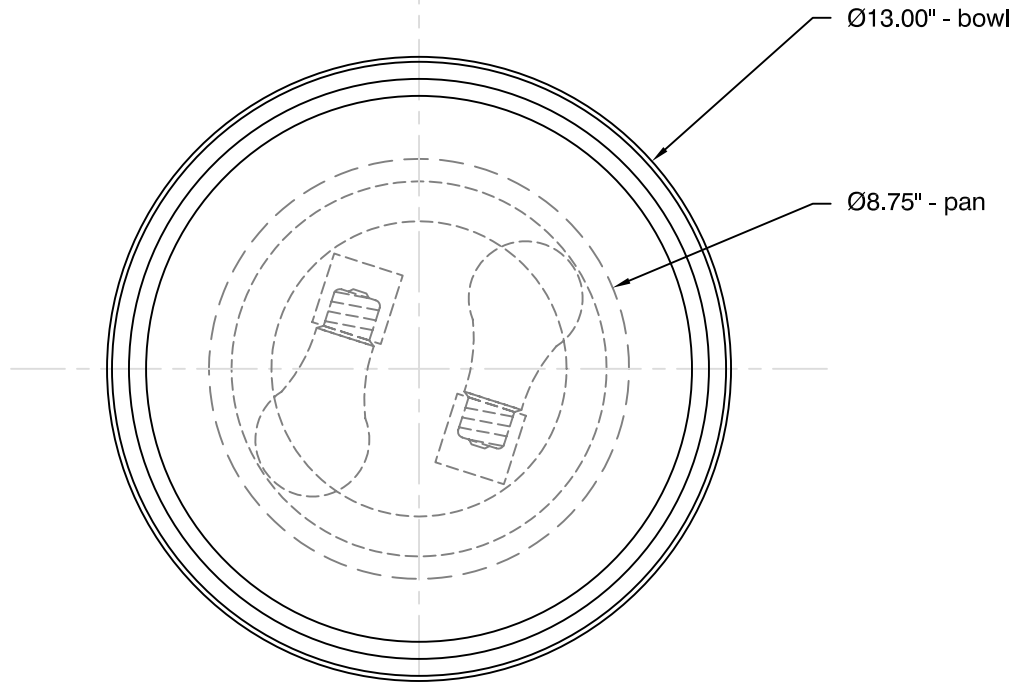


SIDE VIEW



BOTTOM VIEW

SATURNA ceiling mount
oxygen **CDX-2031**

METAL FINISH

o satin nickel

DIFFUSER

o matte white acrylic

LAMPING

o 2 x 25w A19 max

VOLTAGE

o 120V

INSTALLATION

o 4" octagonal J-box
o UL listed



oxygen

OXYGEN LIGHTING
201 Railhead Rd - Ft Worth, TX 76106
TEL. (877) 607-0202 FAX (877) 607-0203
www.oxygenlighting.com

PROJECT: _____

DATE: _____