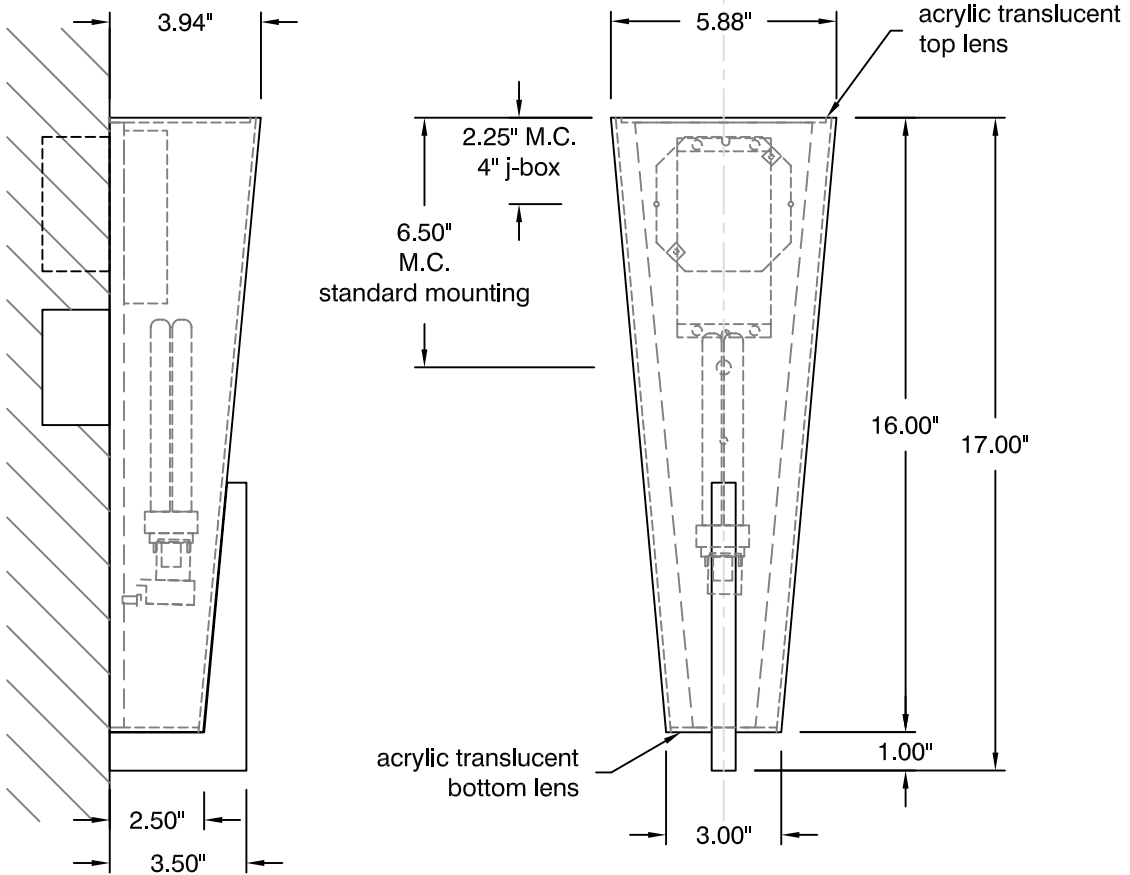


TOP VIEW



SIDE VIEW

FRONT VIEW

SONGBIRD sconce
oxygen **CDX-2001**

OXYGEN LIGHTING ©

LAMPING
o 1x18w G24q-2

DIFFUSER
o matte white glass

METAL FINISH
o satin nickel

DIMENSIONS
o 5.88" (w) x 17" (h)
3.94" ext. from wall

INSTALLATION
o 2" x 3" or 4" octagonal
"J"- Box
o UL Damp Listed
o ADA

BALLAST
o Advance Mark VII dimming,
electronic, HPF programmed start

VOLTAGE
o 120/277

oxygen

OXYGEN LIGHTING
201 Railhead Rd - Ft Worth, TX 76106
TEL. (877) 607-0202 FAX (877) 607-0203
www.oxygenlighting.com

PROJECT:
Qty:
DATE: