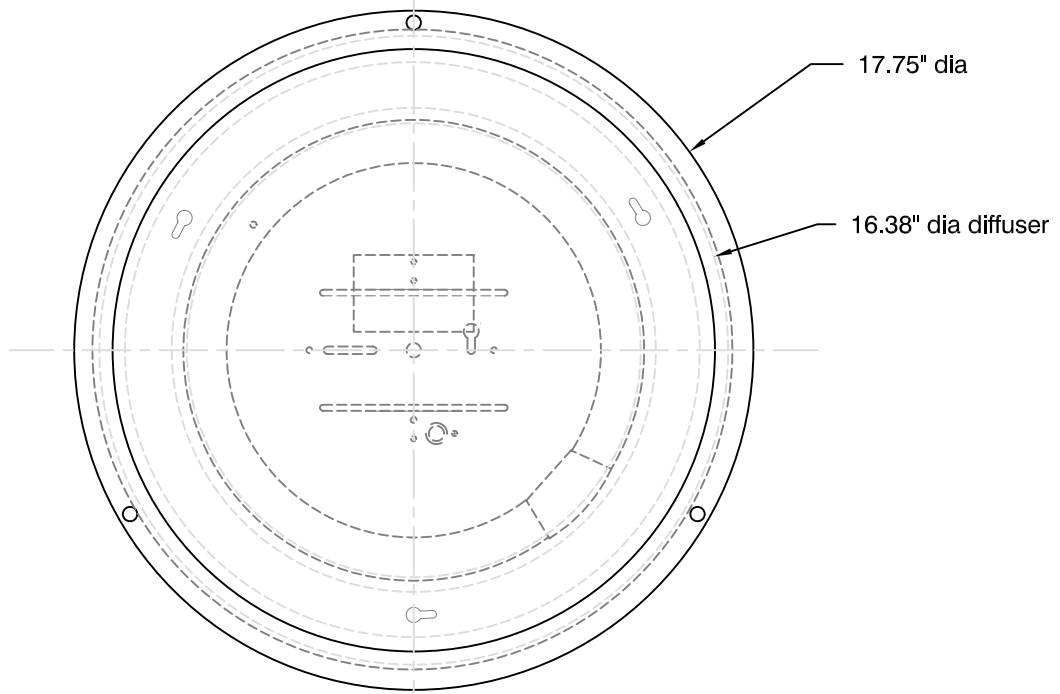


**SIDE VIEW**



**BOTTOM VIEW**

**ORACLE II ceiling mount oxygen CDX-1969**

OXYGEN LIGHTING ©

**LAMPING**

- o 1x32w T9 circline

**DIFFUSER**

- o matte white acrylic

**DIMENSIONS**

- o Ø17.75" x 4."(h)

**INSTALLATION**

- o 4" octagonal "J"-Box
- o UL Damp Listed
- o Approved for ceiling or wall mounting



**BALLAST**

- o electronic NPF, rapid start

**METAL FINISH**

- o 06 - White

**CONSTRUCTION**

- o formed steel trim
- o steel back plate

**VOLTAGE**

- o 120V

**oxygen**

OXYGEN LIGHTING SUITE 900  
580 BROADWAY, NEW YORK, NY 10012  
TEL. (877) 607-0202 FAX (877) 607-0203

PROJECT: \_\_\_\_\_

DATE: \_\_\_\_\_