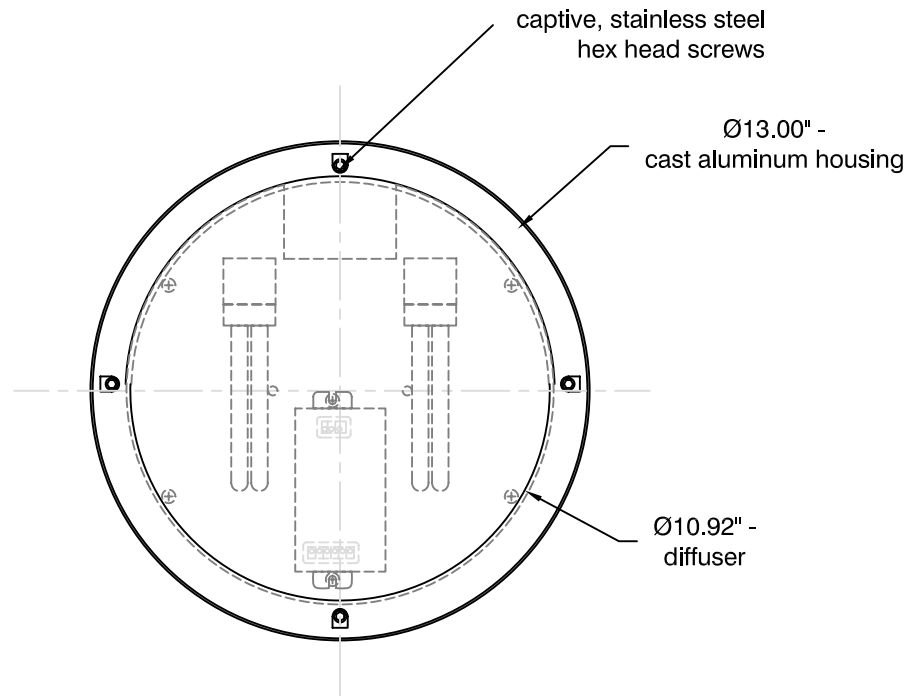


FRONT VIEW



BOTTOM VIEW



OXYGEN LIGHTING ©

REGIO outdoor
oxygen **CDX-1892**

<u>LAMPING</u>	<u>DIFFUSER</u>	<u>METAL FINISH</u>	<u>DIMENSIONS</u>	<u>INSTALLATION</u>
o 2x26w G24q-3	o injection molded matte white polycarbonate	o 6 - white [polyester powdercoat]	o 13"(Ø) x 4.30" (ext)	o 4" octagonal "J"- Box o UL approved for wet locations, (installer must provide a bead of caulk between fixture housing and mounting surface) o wall or ceiling mount
<u>BALLAST</u>	<u>VOLTAGE</u>			
o electronic, HPF programmed start	o 120V to 277V			

oxygen

OXYGEN LIGHTING
201Railhead Rd - Ft Worth, TX 76106
TEL. (877) 607-0202 FAX (877) 607-0203
www.oxygenlighting.com

PROJECT: _____

DATE: _____