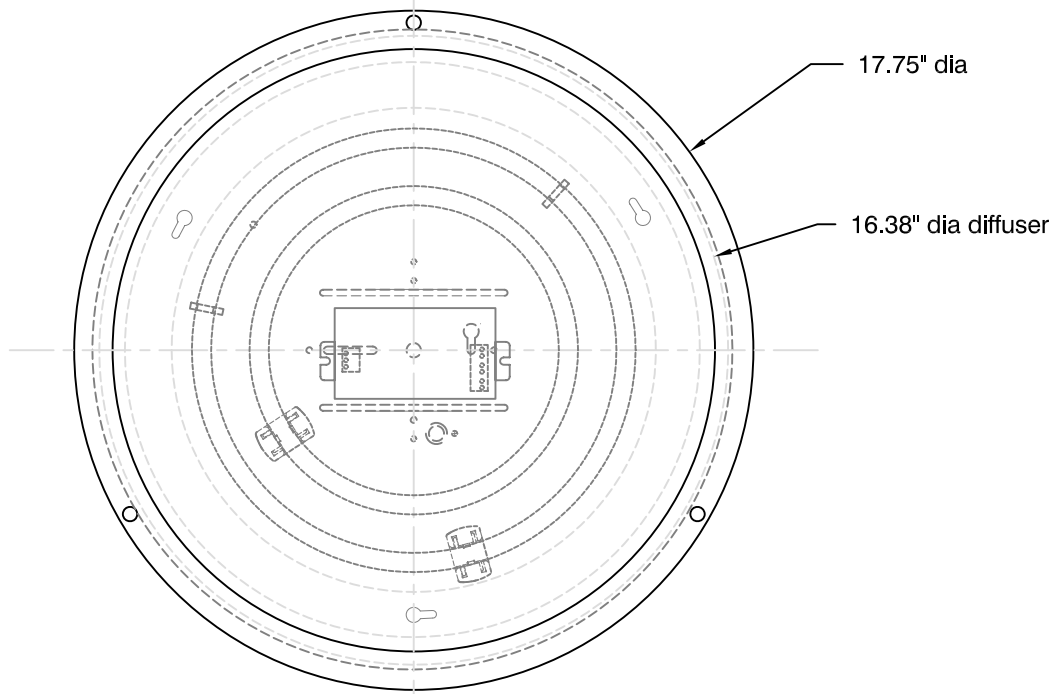


SIDE VIEW



BOTTOM VIEW

ORACLE II ceiling mount
oxygen **CDX-1860**

OXYGEN LIGHTING ©

METAL FINISH

- o Graphite

DIFFUSER

- o matte white acrylic

LAMPING

- o 1x22W T5 circline + 1x40W T5 circline fluorescent

VOLTAGE

- o 120-277V Univ

DIMENSIONS

- o Ø17.75" x 4."(h)

INSTALLATION

- o 4" octagonal "J"-Box
- o UL Damp Listed
- o Approved for ceiling or wall mounting

CONSTRUCTION

- o formed steel trim
- o steel back plate

BALLAST

- o Advance PS HPF ballast Univ. Voltage

oxygen

OXYGEN LIGHTING SUITE 900
580 BROADWAY, NEW YORK, NY 10012
TEL. (877) 607-0202 FAX (877) 607-0203

PROJECT: _____

DATE: _____