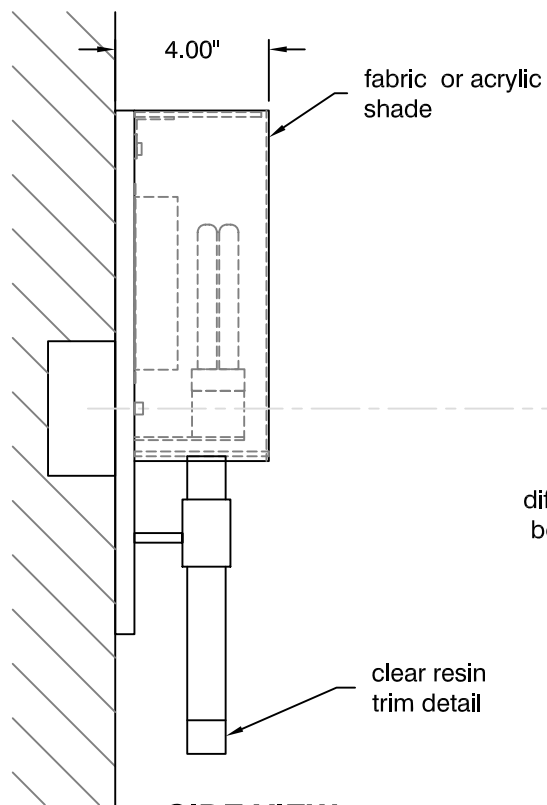
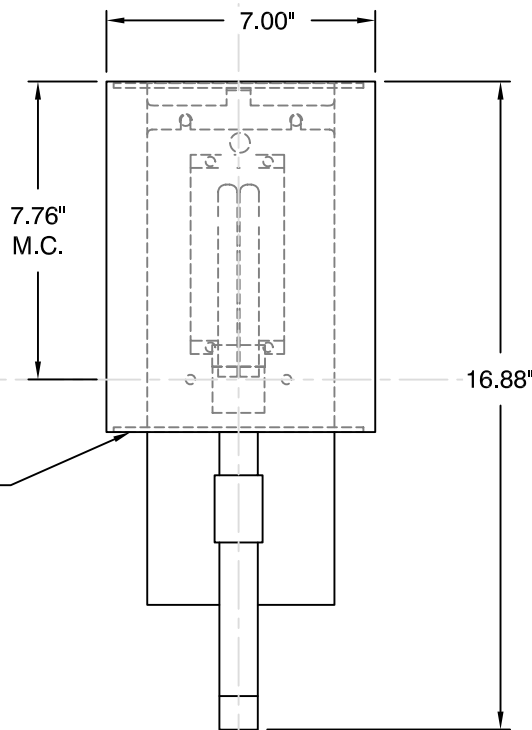


**TOP VIEW**



**SIDE VIEW**



**FRONT VIEW**

**BEACON sconce  
oxygen CDX-1854**

OXYGEN LIGHTING ©

<u>LAMPING</u>	<u>DIFFUSER</u>	<u>METAL FINISH</u>	<u>DIMENSIONS</u>	<u>INSTALLATION</u>
o 1x18w quad G24q-2	o matte white acrylic	o satin nickel	o 7" (w) x 16.88" (h) 4.00" ext. from wall	
<b><u>VOLTAGE</u></b>				
o 120V to 277V				
<b><u>BALLAST</u></b>				
o electronic, HPF programmed start				

**oxygen**

OXYGEN LIGHTING SUITE 900  
580 BROADWAY, NEW YORK, NY 10012  
TEL. (877) 607-0202 FAX (877) 607-0203

PROJECT: \_\_\_\_\_  
DATE: 4-27-12 \_\_\_\_\_