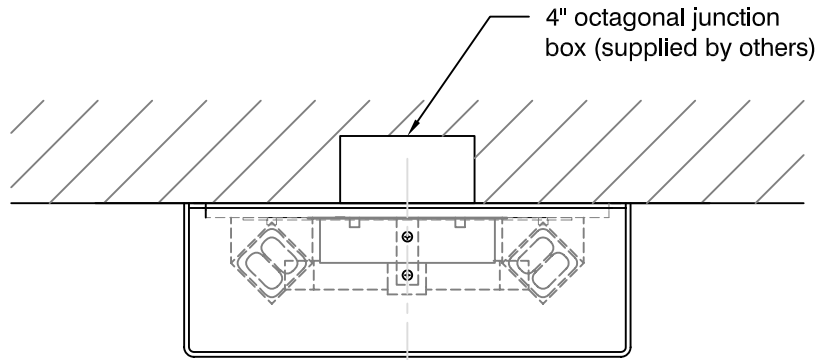
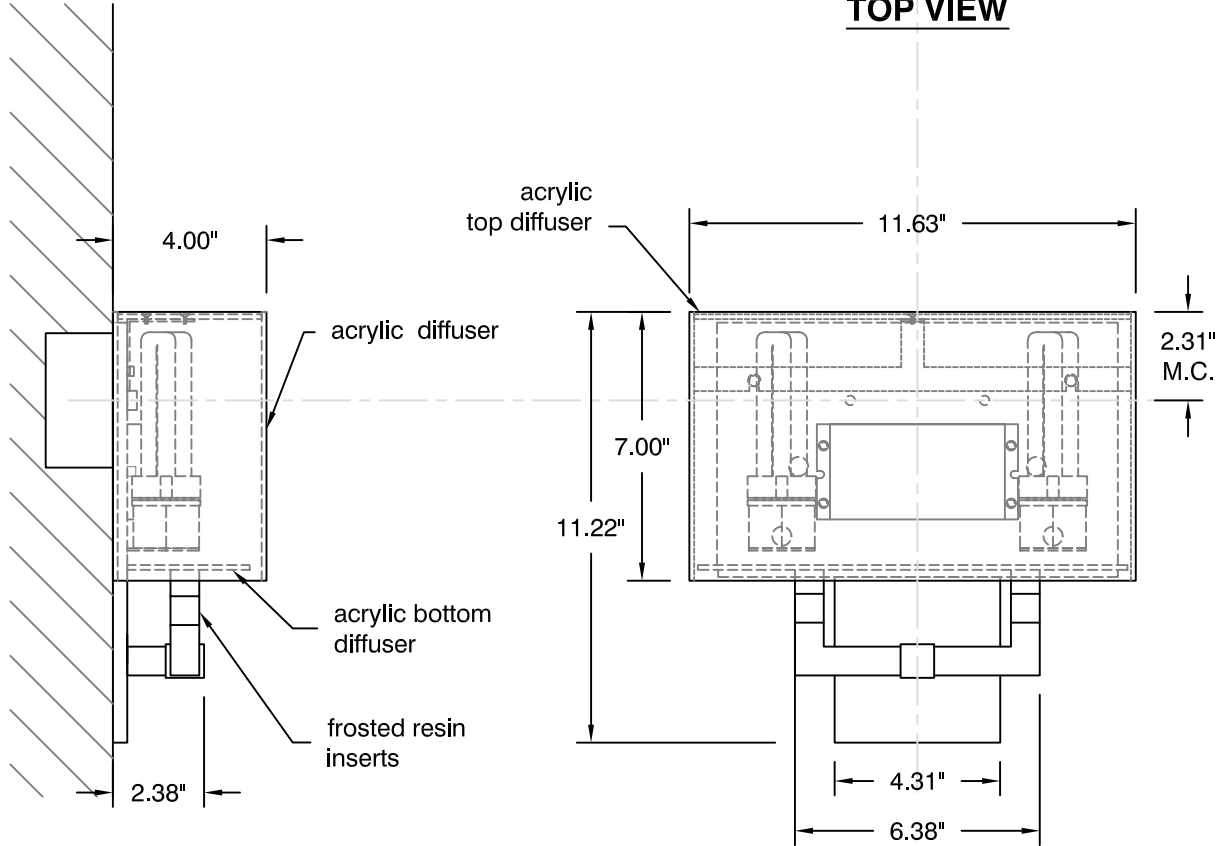




finish in image may not match item specified



TOP VIEW



SIDE VIEW

FRONT VIEW

CHAMELEON scone
oxygen **CDX-1853**

OXYGEN LIGHTING ©

<u>LAMPING</u>	<u>DIFFUSER</u>	<u>METAL FINISH</u>	<u>VOLTAGE</u>	<u>DIMENSIONS</u>	<u>INSTALLATION</u>
o 2x13W G24q-1	o 1/8" matte white acrylic	o old world	o 120V to 277V	o 11.63" (w) x 11.22" (h) 4" ext. from wall	o 4" octagonal "J"- Box o UL approved for damp locations o ADA
<u>BALLAST</u>	o electronic, HPF programmed start				



OXYGEN LIGHTING SUITE 900
580 BROADWAY, NEW YORK, NY 10012
TEL. (877) 607-0202 FAX (877) 607-0203

PROJECT: _____
DATE: _____