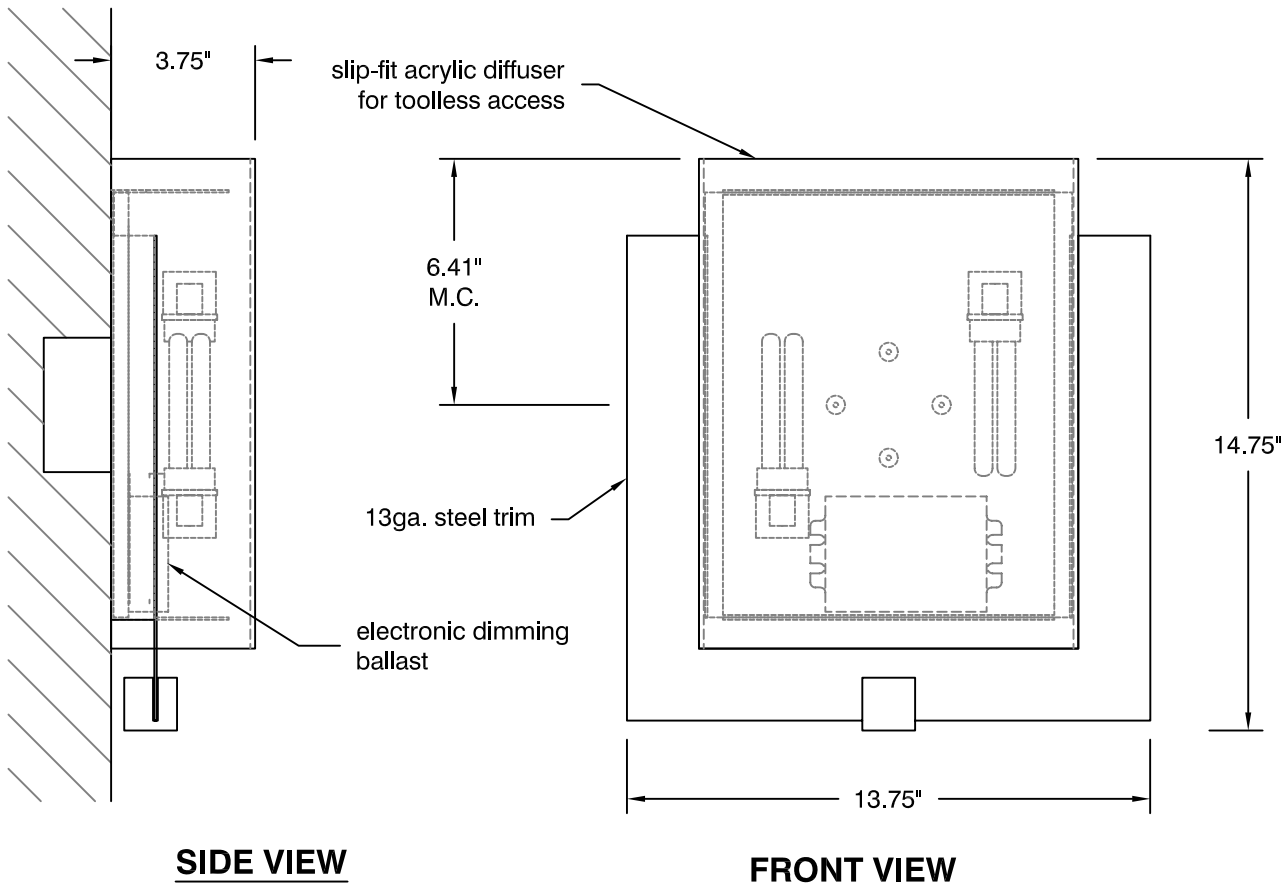
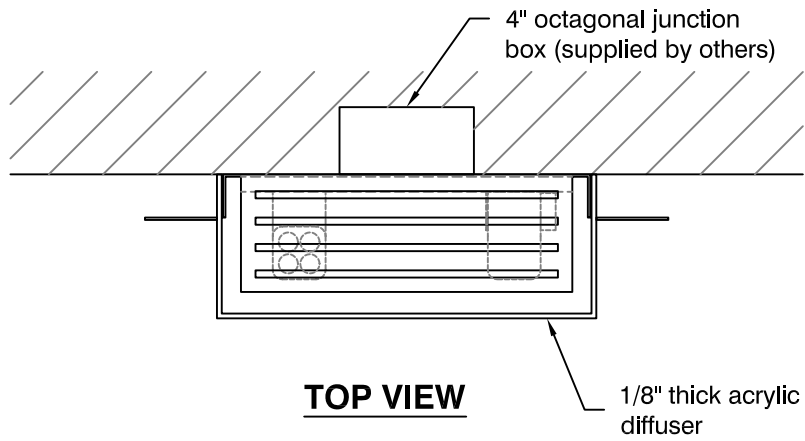




finish shown may not match item specified



PATHWAYS sconce
oxygen **CDX-1852**

OXYGEN LIGHTING ©

DIFFUSER

- o matte white acrylic

METAL FINISH

- o satin nickel

LAMPING

- o 2x13w (G24q-1)
(recommend using lamps with End Of Life protection)

DIMENSIONS

- o 13.63" (w) x 14.89" (h) x 3.75" ext. from wall

INSTALLATION

- o 4" octagonal "J"- Box
- o UL damp listed
- o ADA

VOLTAGE

- o 120/277V

BALLAST

- o electronic dimming, HPF, programmed start

oxygen

OXYGEN LIGHTING SUITE 900
580 BROADWAY, NEW YORK, NY 10012
TEL. (877) 607-0202 FAX (877) 607-0203

PROJECT: _____

DATE: _____