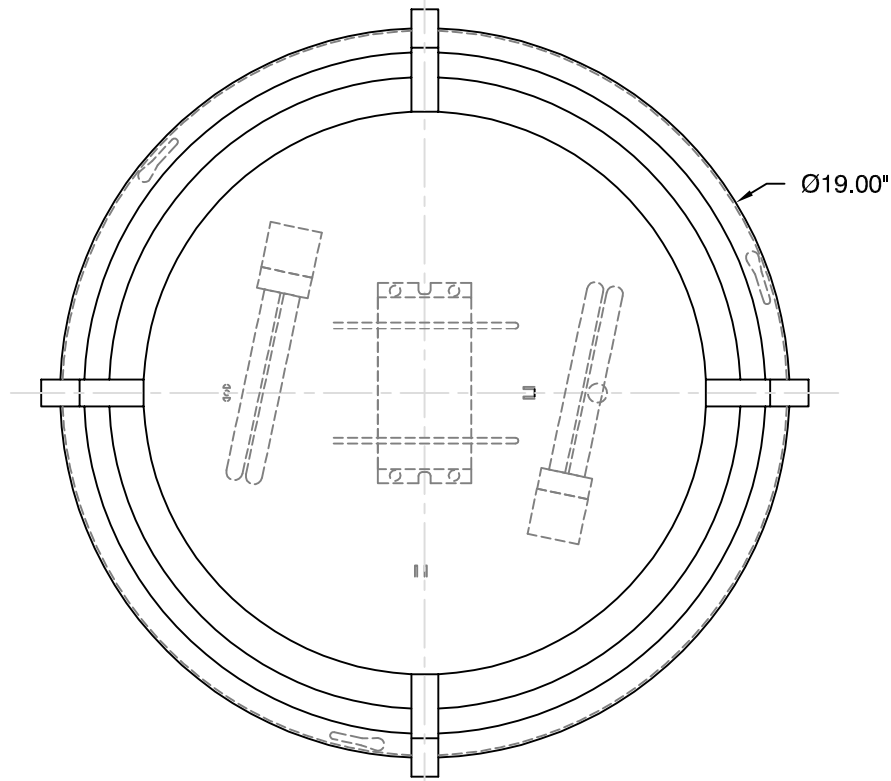


SIDE VIEW



BOTTOM VIEW

ECHELON ceiling mount
oxygen **CDX-1840**

OXYGEN LIGHTING ©

<p><u>LAMPING</u> o 2x26w quad G24q-3</p>	<p><u>DIFFUSER</u> o 2 matte white acrylic</p>	<p><u>METAL FINISH</u> o 24 - satin nickel</p>	<p><u>DIMENSIONS</u> o 19.00"(w) x 4.25"(h)</p>	<p><u>INSTALLATION</u> o 4" octagonal "J"-Box o UL Damp Listed</p>
<p><u>VOLTAGE</u> o 120-277v</p>	<p><u>CONSTRUCTION</u> o spun steel trim o steel back plate</p>	<p><u>BALLAST</u> o Advance IZT-2S26-M5-LD dimming, HPF programmed start</p>		

oxygen

OXYGEN LIGHTING SUITE 900
580 BROADWAY, NEW YORK, NY 10012
TEL. (877) 607-0202 FAX (877) 607-0203

PROJECT: _____

DATE: _____