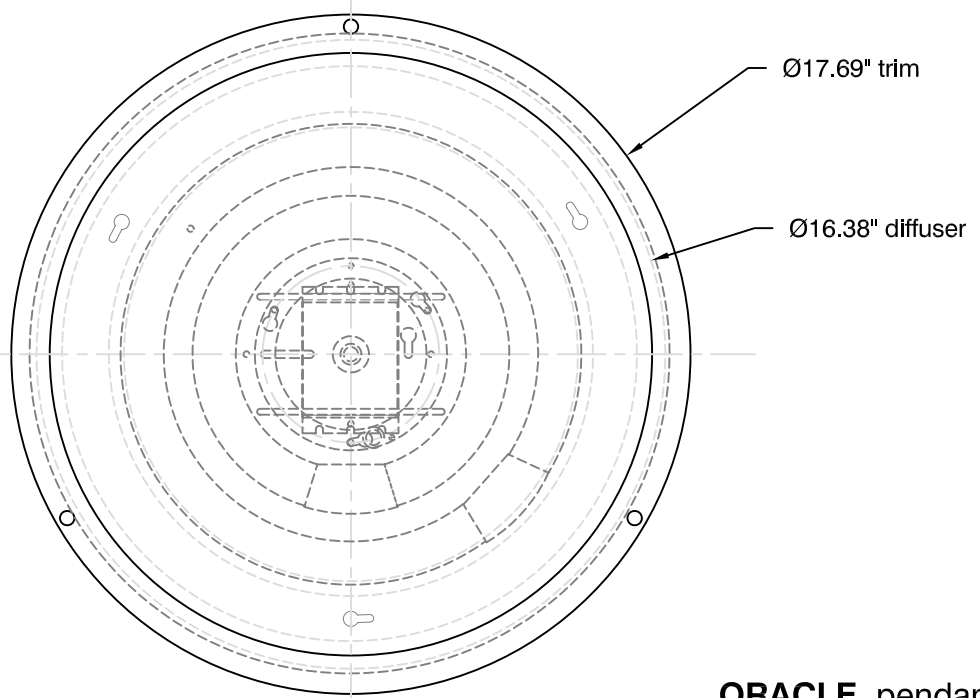


SIDE VIEW



BOTTOM VIEW

NOTE: Finish in image may not match item specified



ORACLE pendant
oxygen **CDX-1801**

METAL FINISHES

- o 14 - polished chrome

DIFFUSER

- o matte white acrylic

LAMPING

- o 1 x 22W T9 circline + 1 x 32W T9 circline fluorescent (G10q)

VOLTAGE

- o 277V

INSTALLATION

- o 4" octagonal "J"-Box
- o UL Damp Listed

BALLAST

- o electronic HPF, 277V

STEM

- o 12" STEM (7/8"Ø)



OXYGEN LIGHTING SUITE 900
580 BROADWAY, NEW YORK, NY 10012
TEL. (877) 607-0202 FAX (877) 607-0203

PROJECT: _____

DATE: _____