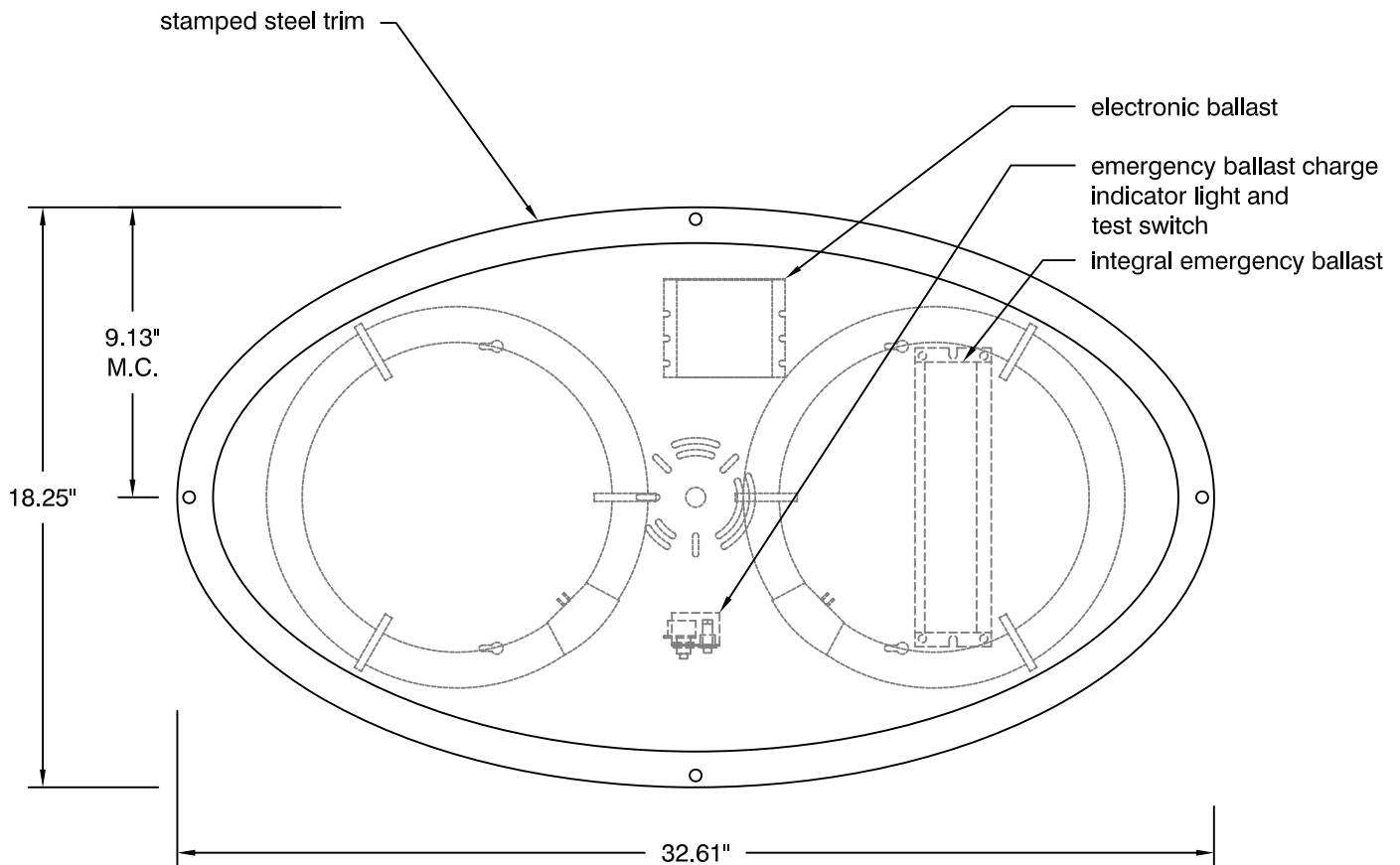


SIDE VIEW



BOTTOM VIEW

ORACLE ceiling mount (modified)
oxygen **CDX-1794**

OXYGEN LIGHTING ©

<u>METAL FINISH</u>	<u>DIFFUSER</u>	<u>LAMPING</u>	<u>VOLTAGE</u>	<u>DIMENSIONS</u>	<u>INSTALLATION</u>
o satin nickel	o matte white acrylic	o 2x32W T9 circline fluorescent	o 120V	o 32.61"(w) x 18.25"(l) x 4.75"(h)	o 4" octagonal "J"-Box o UL Damp Listed
<u>EMERGENCY BALLAST</u>			<u>BALLAST</u>		
o integral Bodine B60 emergency battery ballast - 600 to 700 lumen output in emergency mode			o electronic HPF, instant start		

oxygen

OXYGEN LIGHTING SUITE 900
580 BROADWAY, NEW YORK, NY 10012
TEL. (877) 607-0202 FAX (877) 607-0203

PROJECT: _____

DATE: _____