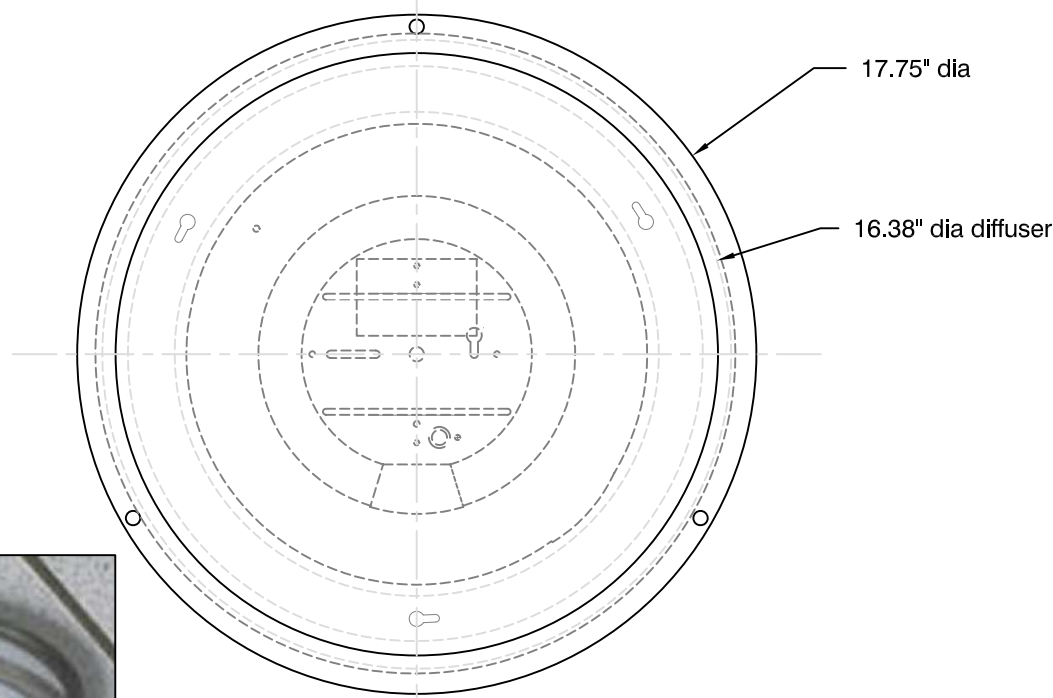


SIDE VIEW



BOTTOM VIEW



ORACLE II ceiling mount oxygen CDX-1767

OXYGEN LIGHTING ©

<p>METAL FINISHES</p> <ul style="list-style-type: none"> o 06 - White 	<p>DIFFUSER</p> <ul style="list-style-type: none"> o matte white acrylic 	<p>LAMPING</p> <ul style="list-style-type: none"> o 1x22W T9 circline + 1x32W T9 fluorescent 	<p>VOLTAGE</p> <ul style="list-style-type: none"> o 120V 	<p>DIMENSIONS</p> <ul style="list-style-type: none"> o Ø17.75" x 4."(h) 	<p>INSTALLATION</p> <ul style="list-style-type: none"> o 4" octagonal "J"-Box o UL Damp Listed o Approved for ceiling or wall mounting
<p>CONSTRUCTION</p> <ul style="list-style-type: none"> o formed steel trim o steel back plate 	<p>BALLAST</p> <ul style="list-style-type: none"> o electronic NPF, rapid start 				