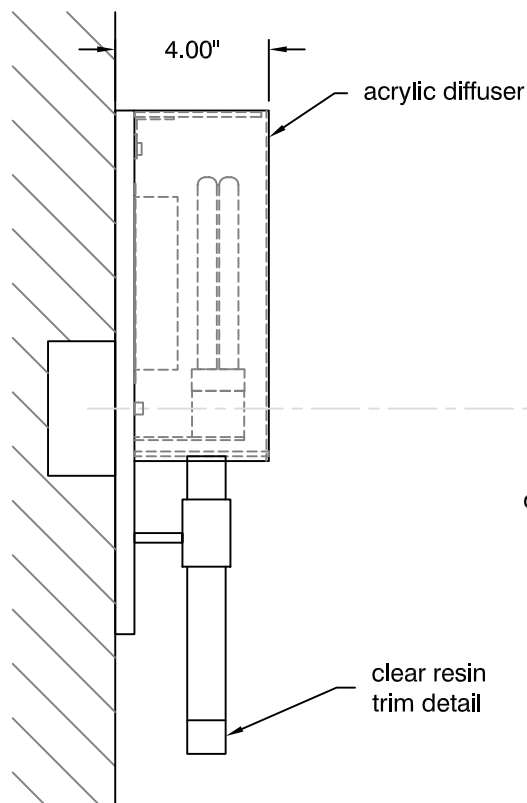
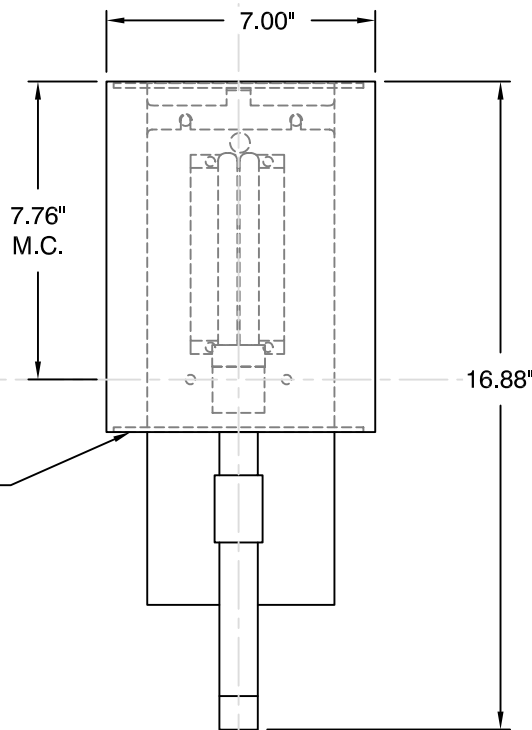


TOP VIEW



SIDE VIEW



FRONT VIEW

BEACON scone
oxygen **CDX-1729**

OXYGEN LIGHTING ©

LAMPING

- o 1x18w quad 4-pin compact fluorescent (G24q-2)

DIFFUSER

- o matte white acrylic

METAL FINISH

- o 24 - satin nickel

DIMENSIONS

- o 7" (w) x 16.88" (h)
- o 4.00" ext. from wall

INSTALLATION

- o 4" octagonal "J"- Box
- o UL Damp Listed
- o ADA

VOLTAGE

- o 120V to 277V

BALLAST

- o electronic, HPF programmed start

oxygen

OXYGEN LIGHTING SUITE 900
580 BROADWAY, NEW YORK, NY 10012
TEL. (877) 607-0202 FAX (877) 607-0203

PROJECT: _____

DATE: _____