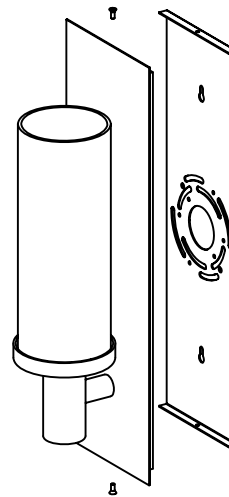


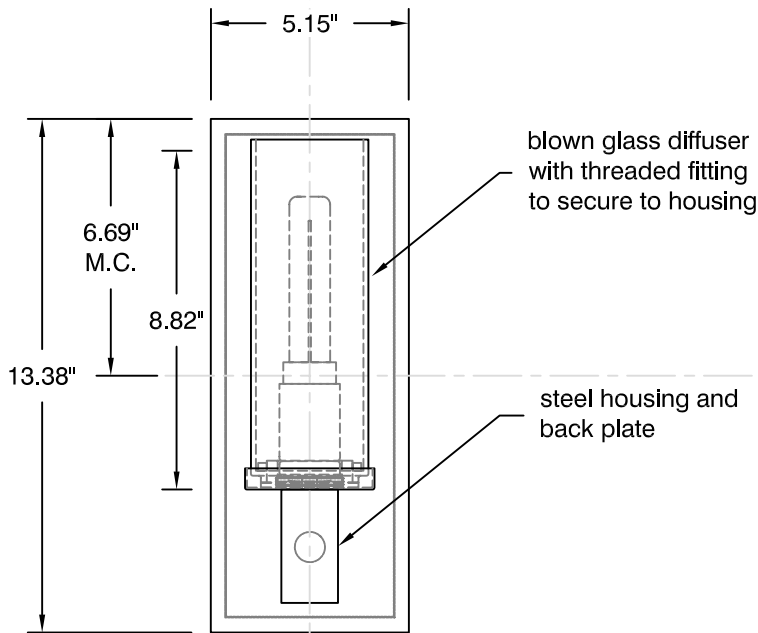
**TOP VIEW**



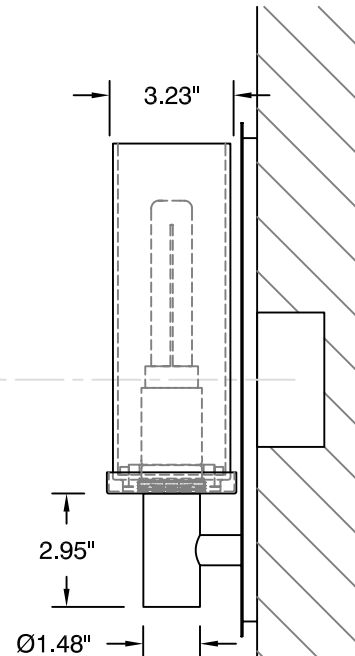
**PERSPECTIVE**



Finish in image may not match item specified



**FRONT VIEW**



**SIDE VIEW**

**MANTRA** sconce  
oxygen **CDX-1719**

OXYGEN LIGHTING ©

**METAL FINISHES**

- o 95 - old world

**DIFFUSER**

- o white opal glass

**VOLTAGE**

- o 120V

**BALLAST**

- o electronic NPF, rapid start

**LAMPING**

- o 1x18W quad tube, 4-pin compact fluorescent (G24q-2)

**DIMENSIONS**

- o 5" (w) x 13.38" (h) 4.00" ext. from wall

**INSTALLATION**

- o 4" octagonal "J"- Box
- o UL Damp Listed
- o ADA

**oxygen**

**OXYGEN LIGHTING** SUITE 900  
580 BROADWAY, NEW YORK, NY 10012  
TEL. (877) 607-0202 FAX (877) 607-0203

PROJECT: \_\_\_\_\_

DATE: \_\_\_\_\_