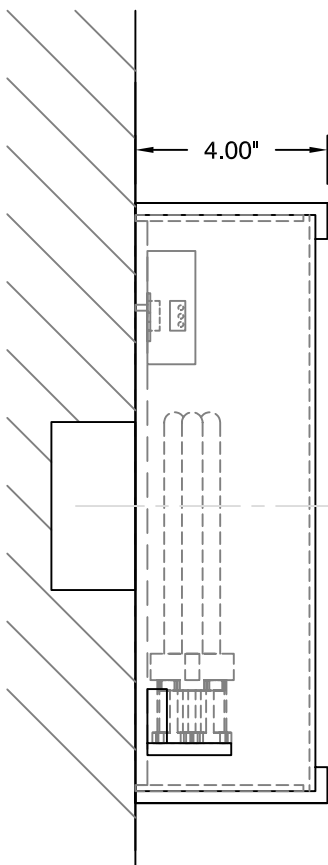
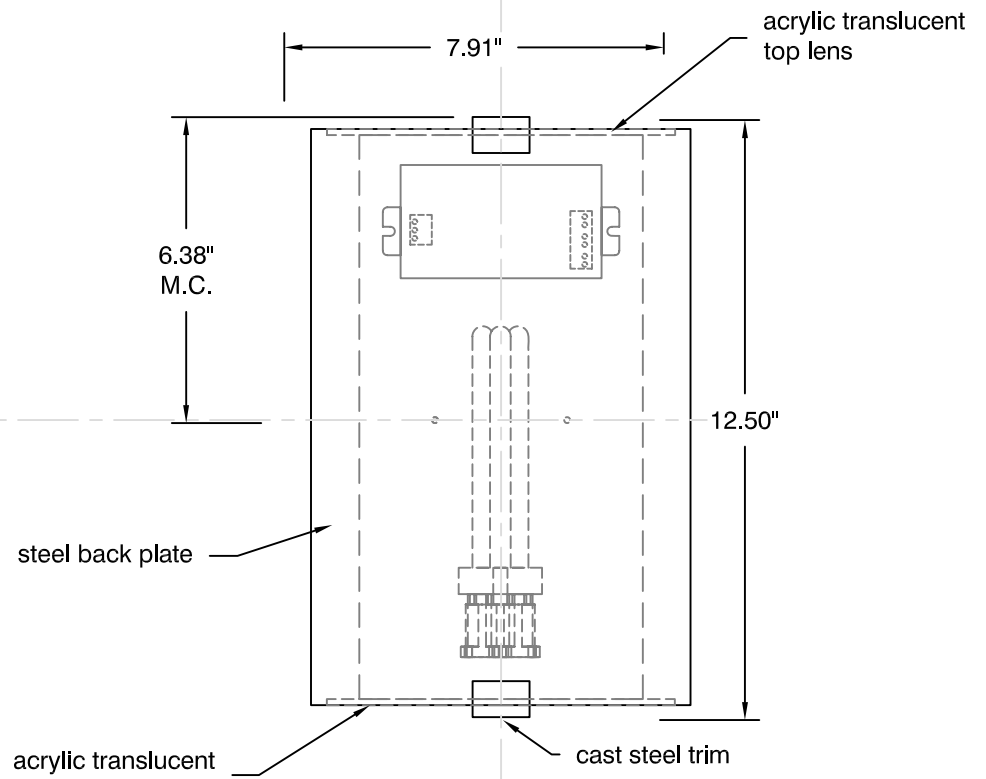


TOP VIEW



SIDE VIEW



FRONT VIEW

SIREN scone
oxygen **CDX-1676**

OXYGEN LIGHTING ©

LAMPING

- o 1x26W quad 4-pin fluorescent (G24q-3)

DIFFUSERS

- o 1 - white opal glass
- o

METAL FINISH

- o 95 - Old World

DIMENSIONS

- o 7.91" (w) x 12.50" (h)
- o 4.00" ext. from wall

INSTALLATION

- o 4" octagonal "J"-Box
- o UL Damp Listed
- o ADA

BALLAST

- o universal voltage, electronic HPF programmed start

VOLTAGE

- o 120/277V

oxygen

OXYGEN LIGHTING SUITE 900
580 BROADWAY, NEW YORK, NY 10012
TEL. (877) 607-0202 FAX (877) 607-0203

PROJECT: 2-5153-xxx OLD WORLD
QTY: 13
DATE: 7/25/11