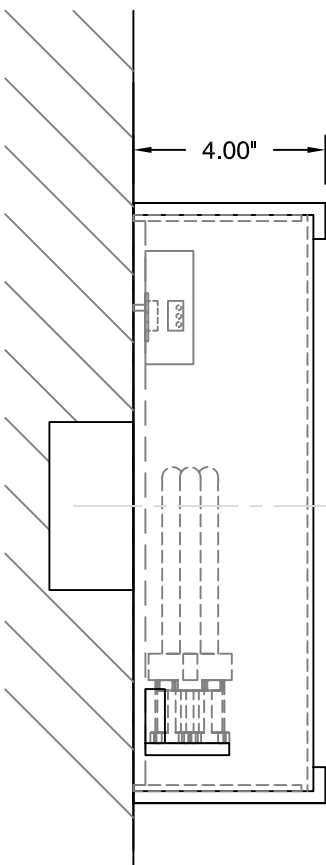
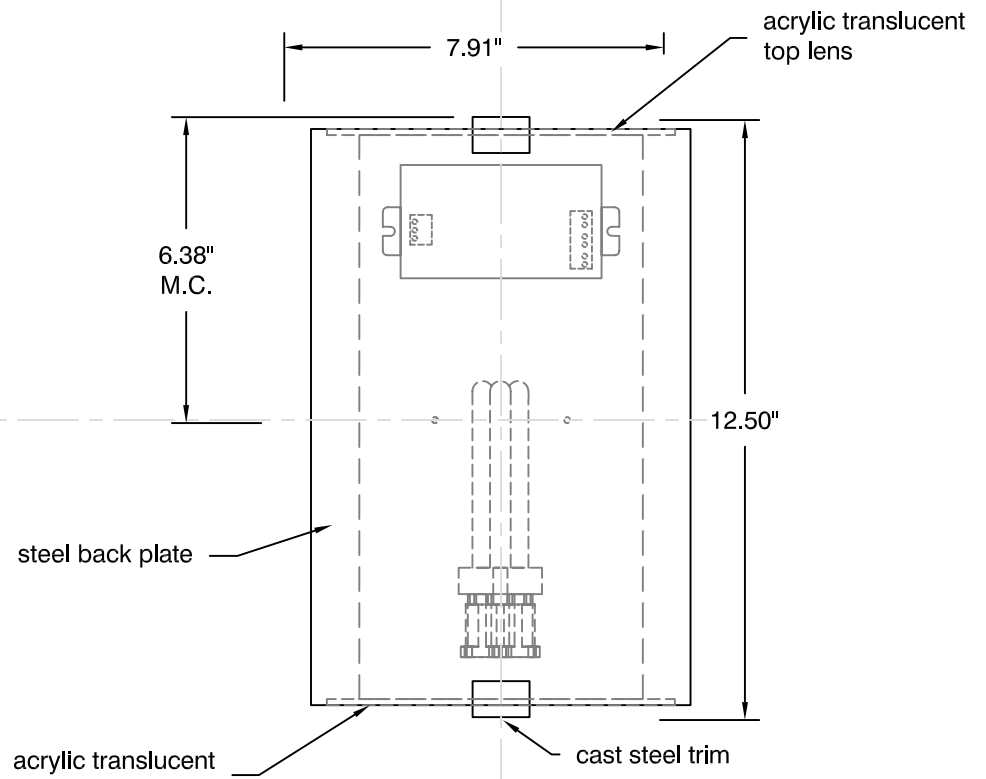


TOP VIEW



SIDE VIEW



FRONT VIEW

SIREN sconce
oxygen **CDX-1659**

OXYGEN LIGHTING ©

LAMPING

- o 1x13W quad 4-pin fluorescent (G24q-1)

DIFFUSERS

- o 2 - matte white acrylic

METAL FINISH

- o 24 - satin nickel

DIMENSIONS

- o 7.91" (w) x 12.50" (h)
- o 4.00" ext. from wall

INSTALLATION

- o 4" octagonal "J"-Box
- o UL Damp Listed
- o ADA

BALLAST

- o universal voltage, electronic HPF programmed start

JOB VOLTAGE

- o 120v/

oxygen

OXYGEN LIGHTING SUITE 900
580 BROADWAY, NEW YORK, NY 10012
TEL. (877) 607-0202 FAX (877) 607-0203

PROJECT: SIREN 2-5153-224 13W HPF BALLAST
QTY: 200
DATE: 6-15-2011