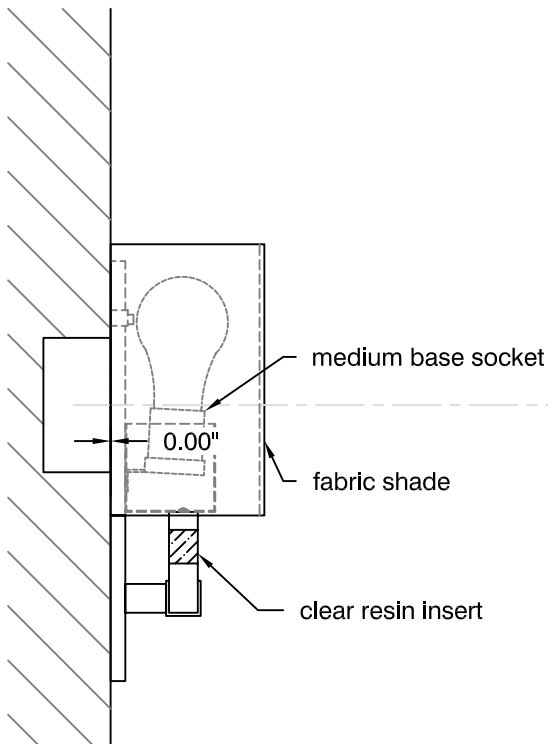
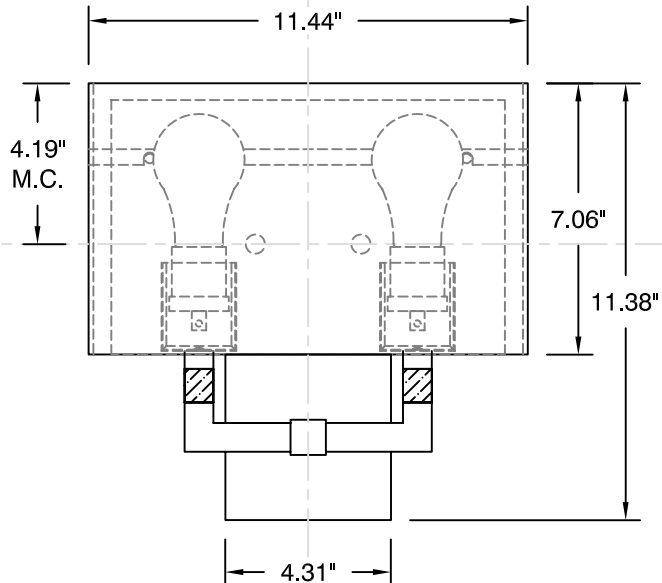


open top and bottom

TOP VIEW



SIDE VIEW



FRONT VIEW

CHAMELEON sconce
oxygen **CDX-1566**

OXYGEN LIGHTING ©

METAL FINISHES

- o SATIN BRONZE

DIFFUSER

- o white cotton shade

LAMPING

- o 2 x 60W medium base incandescent

DIMENSIONS

- o 11.44" (w) x 11.38" (h) x 4.00" ext. from wall

INSTALLATION

- o 4" octagonal "J"- Box
- o UL Damp Listed
- o ADA

VOLTAGE

- o 120V

oxygen

OXYGEN LIGHTING SUITE 900
580 BROADWAY, NEW YORK, NY 10012
TEL. (877) 607-0202 FAX (877) 607-0203

PROJECT: _CDX-1566 2-5126 Bronze Qty:6

DATE: _1-11-11_____