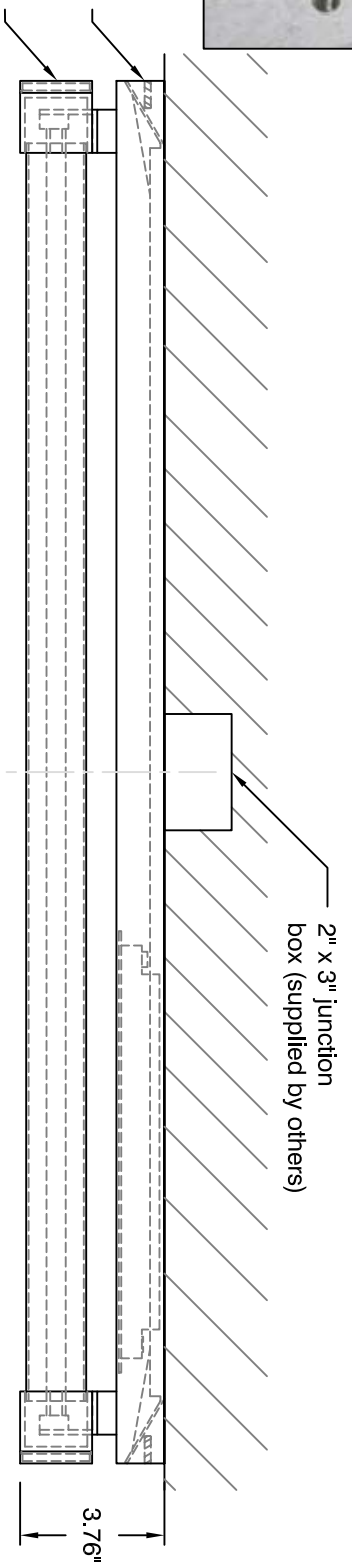
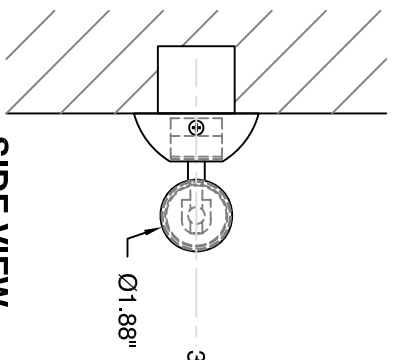




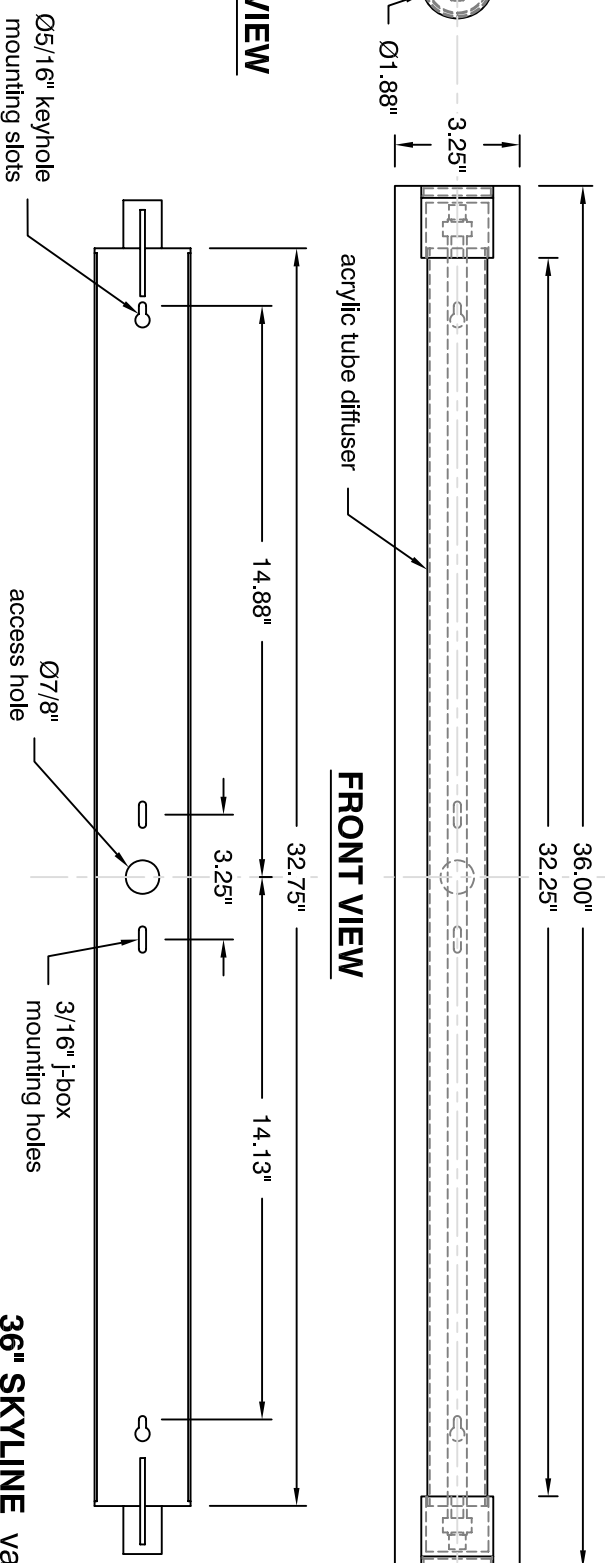
screws hold fixture to mounting plate
 2-piece, machined steel caps secure
 diffuser to housing



TOP VIEW



SIDE VIEW



FRONT VIEW

36" SKYLINE vanity
 oxygen **CDX-1535**

OXYGEN LIGHTING ©

LAMPING
 1-39W T5HO linear fluorescent lamp (mini bi-pin)
BALLAST
 Advance Ballast ICN-2S39

DIFFUSER
 matte white acrylic

METAL FINISHES
 24 - satin nickel

VOLTAGE
 120/277V

INSTALLATION
 2" x 3" "J" Box
 UL Damp Listed
 ADA

MOUNTING PLATE
 3/16" f-box mounting holes
 access hole
 Ø7/8"

oxygen

OXYGEN LIGHTING SUITE 900
 580 BROADWAY, NEW YORK, NY 10012
 TEL. (877) 607-0202 FAX (877) 607-0203

PROJECT: _____
 DATE: __11.11.10__