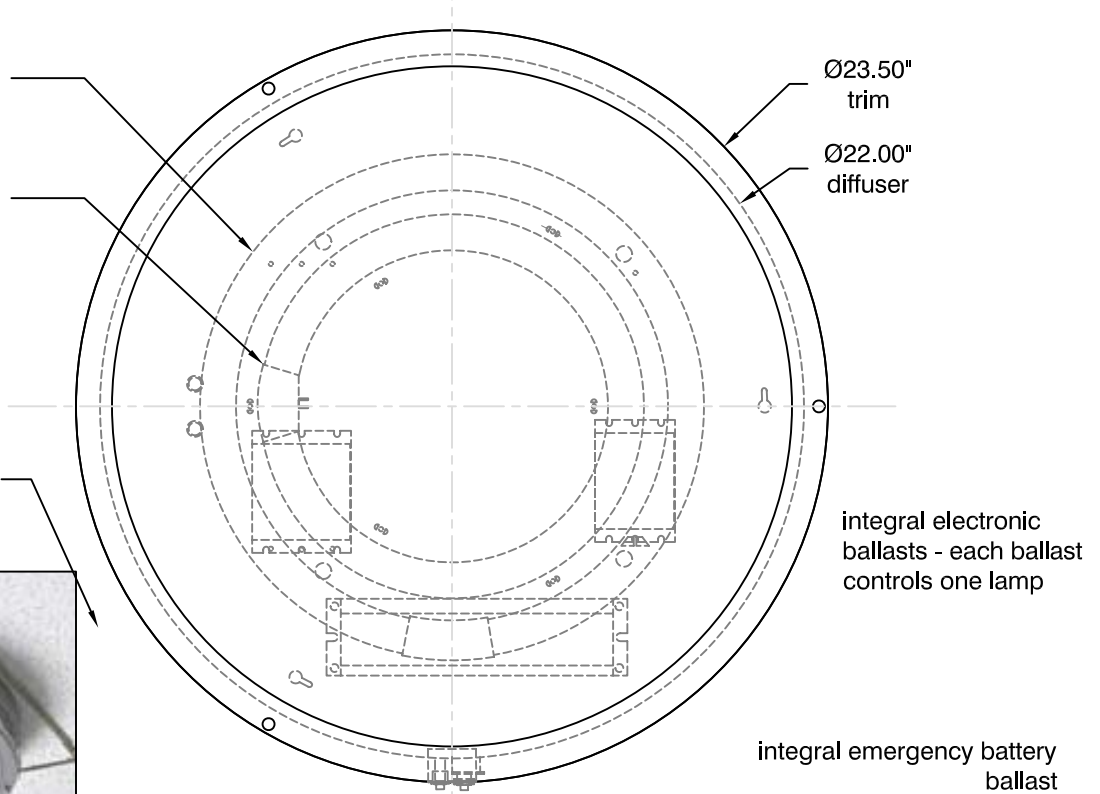


SIDE VIEW

40W T9 circline lamp:
recommend controlling with
wall switch

32W T9 circline lamp:
recommend to controlling with
occupancy sensor



BOTTOM VIEW



ORACLE flush mount (modified)
oxygen **CDX-1544**

OXYGEN LIGHTING ©

<u>METAL FINISH</u>	<u>DIFFUSER</u>	<u>LAMPING</u>	<u>VOLTAGE</u>	<u>DIMENSIONS</u>	<u>INSTALLATION</u>
o satin nickel	o matte white acrylic	o 1x32W + 1x40W T9 circline fluorescent (G10q)	o 277V	o Ø23.50" x 6.24"(h)	o 4" octagonal "J"-Box o UL Damp Listed
		<u>BALLAST</u> o 32W lamp: HPF electronic, rapid start 40W lamp: HPF electronic, instant start o Bodine EM ballast		<u>Notes</u> o One ballast per lamp, to allow for separate switching source for each lamp	



OXYGEN LIGHTING SUITE 900
580 BROADWAY, NEW YORK, NY 10012
TEL. (877) 607-0202 FAX (877) 607-0203

PROJECT: _____
DATE: _____