

# DEVA Outdoor (Wall / Ceiling)

120v : **3-716-xx**

277v : **37-716-xx**

# oxygen

FIXTURE TYPE \_\_\_\_\_

LOCATION \_\_\_\_\_

PROJECT \_\_\_\_\_

DATE \_\_\_\_\_

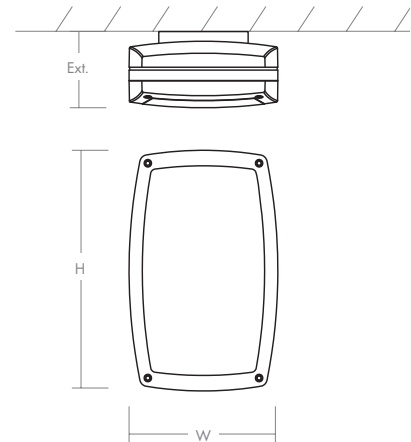


-15 Black



-16 Gray

<b>LIGHT SOURCE</b>	1 x 10.1W LED, 3000K, CRI 90
<b>LUMINAIRE POWER</b>	12.7 W at 120V
<b>RATED LIFE</b>	60000 hr RL
<b>OPTIONAL COLOR TEMPERATURES</b>	2700K, 3500K, 4000K
<b>LUMEN OUTPUT</b>	Delivered: 303 lm (LM-79)
<b>INPUT VOLTAGE</b>	120V or 277V
<b>DRIVER OUTPUT</b>	350 mA, 12W
<b>DIMMING</b>	0-10v & Phase (ELV) Dimming - 50/60Hz 100% to 10% Dimming
<b>CONSTRUCTION</b>	Cast Aluminium and Polycarbonate
<b>DIFFUSER</b>	- Polished White Polycarbonate
<b>FINISHES</b>	Black (-15), Gray (-16)
<b>MOUNTING</b>	4" Octagonal J-Box (Installer must provide a bead of caulk between fixture housing and mounting surface)
<b>STANDARDS</b>	ETL Wet, ADA compliant, Conforms to UL STD 1598, Certified CAN/CSA, STD C22.2 No 250.0.



<b>DIMENSIONS</b>	
<b>W:</b>	<b>7.91"</b>
<b>H:</b>	<b>12.63"</b>
<b>Ext.:</b>	<b>4.00"</b>
<b>M.C.:</b>	<b>3.95" From top of fixture</b>

Order example for standard fixture:

**3-716-15** (x- Voltage - xxx-Sequence # - xx-Finish)

**3:** 120v, **37:** 277v

Order example for optional color temperatures: **3-716-2715**

**27:** 2700K, **35:** 3500K, **40:** 4000K

