

# JOURNEY Wall Sconce / Ceiling Mount

120v: **3-622-xx**

277v: **37-622-xx**

oxygen

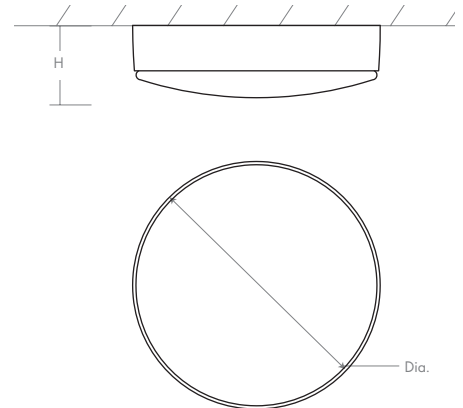
FIXTURE TYPE \_\_\_\_\_ LOCATION \_\_\_\_\_

PROJECT \_\_\_\_\_ DATE \_\_\_\_\_



-24 Satin Nickel

<b>LIGHT SOURCE</b>	1 x 8.2W LED, 3000K, CRI 90
<b>LUMINAIRE POWER</b>	10.1W at 120V
<b>RATED LIFE</b>	60000 hr RL
<b>OPTIONAL COLOR TEMPERATURES</b>	2700K, 3500K, 4000K
<b>LUMEN OUTPUT</b>	Delivered: 608 lm (LM-79)
<b>INPUT VOLTAGE</b>	120V or 277V
<b>DRIVER OUTPUT</b>	350mA, 12W
<b>DIMMING</b>	0-10v & Phase (ELV) Dimming - 50/60Hz 100% to 10% Dimming
<b>CONSTRUCTION</b>	Plated Steel and Glass
<b>DIFFUSER</b>	- White Opal Glass
<b>FINISHES</b>	Satin Nickel (-24)
<b>MOUNTING</b>	4" Octagonal J-Box
<b>STANDARDS</b>	ETL Dry/Damp listed, Conforms to UL STD 1598, Certified CAN/CSA, STD C22.2 No 250.0.



**DIMENSIONS**  
**Dia:** 11.00"  
**H:** 4.38"

Order example for standard fixture:

**3-622-24** (x- Voltage - xxx-Sequence # - xx-Finish)

**3:** 120v, **37:** 277v, **32:** Universal Voltage

Order example for optional color temperatures: **3-622-2724**

**27:** 2700K, **35:** 3500K, **40:** 4000K

