

Ellipse Ceiling Mount

120v: **3-353-xxx**

277v: **37-353-xxx**

oxygen

FIXTURE TYPE _____

LOCATION _____

PROJECT _____

DATE _____



-24 Satin Nickel



-15 Black



-20 Polished Nickel

Diffusers:

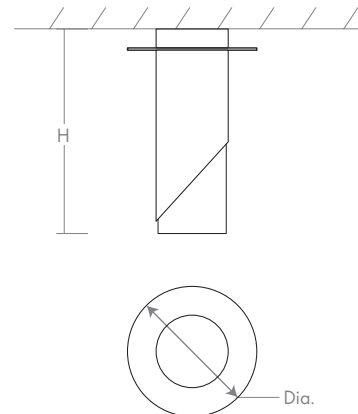


-1 White Opal Glass



-2 Matte White Acrylic

LIGHT SOURCE	1 x 5.12W LED, 3000K, CRI 90
LUMINAIRE POWER	6.56W at 120V
RATED LIFE	60000 hr RL
OPTIONAL COLOR TEMPERATURES	2700K, 3500K, 4000K
LUMEN OUTPUT	Delivered: (-1) Glass 107 lm (LM-79) (-2) Acrylic 142 lm (LM-79)
INPUT VOLTAGE	120V or 277V
DRIVER OUTPUT	150mA, 6W
DIMMING	0-10v & Phase (ELV) Dimming - 50/60Hz 100% to 10% Dimming
CONSTRUCTION	Plated Steel and Acrylic
DIFFUSER	(-1) White Opal Glass, (-2) Matte White Acrylic
FINISHES	Black (-15), Polished Nickel (-20), Satin Nickel (-24)
MOUNTING	4" Octagonal J-Box*, 2"x3" J-Box* *Deep J-Box (Required to house driver)
STANDARDS	ETL Dry/Damp listed, CEC Title 24 Compliant, Conforms to UL STD 1598, Certified CAN/CSA, STD C22.2 No 250.0.



DIMENSIONS

Dia.:	5.88"
H:	8.73"
Diffuser Dia.:	2.75"
M.C.:	2.94"

Order example for standard fixture:

3-353-124 (x- Voltage - xxx-Sequence # - x-Diffuser - xx-Finish)

3: 120v, 37: 277v

Order example for optional color temperatures: **3-353-27124**

27: 2700K, 35: 3500K, 40: 4000K

