

DIONE Pendant

Universal Voltage: **32-660-xx**

oxygen

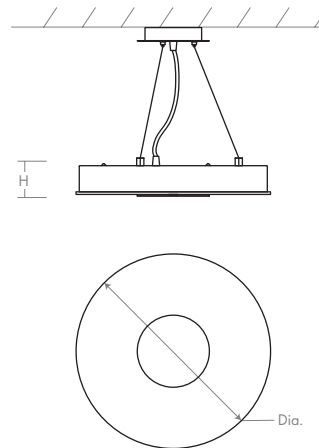
FIXTURE TYPE _____ LOCATION _____

PROJECT _____ DATE _____



-24 Satin Nickel

LIGHT SOURCE	1 x 9.9W LED, 3000K, CRI 90
LUMINAIRE POWER	11.2W at 120V
RATED LIFE	60000 hr RL
OPTIONAL COLOR TEMPERATURES	2700K, 3500K, 4000K
LUMEN OUTPUT	Delivered: 409 lm (LM-79)
INPUT VOLTAGE	Universal Voltage 120V-277V
DRIVER OUTPUT	350mA, 15W
DIMMING	0-10v - 50/60Hz 100% to 10% Dimming
CONSTRUCTION	Plated Steel and Acrylic
DIFFUSER	- Matte White Acrylic
FINISHES	Satin Nickel (-24)
MOUNTING	4" Octagonal J-Box, 2"x 3" J-Box
STANDARDS	ETL Dry/Damp listed, Conforms to UL STD 1598, Certified CAN/CSA, STD C22.2 No. 250.0



DIMENSIONS

Dia. Canopy: 5.50"

Dia. Fixture: 14.88"

H. Fixture: 2.33"

Suspension Length: 4' Cord and cable provide. * Adjustable cable grippers.

Order example for standard fixture:

32-660-24 (x- Voltage - xxx-Sequence # - xx-Finish)

32: Universal Voltage

Order example for optional color temperatures: **32-660-2724**

27: 2700K, **35:** 3500K, **40:** 4000K

