

CADET Outdoor
3-748-xx

oxygen

FIXTURE TYPE _____

LOCATION _____

PROJECT _____

DATE _____



-15 Black

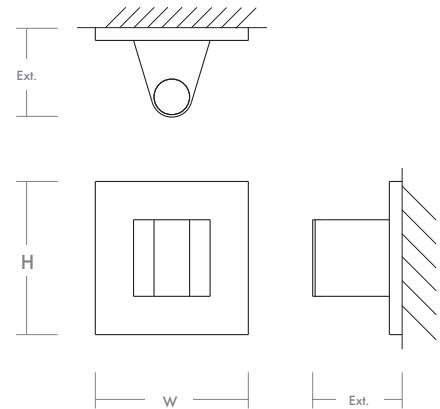


-16 Brushed Aluminum



-Alternate Mounting Option

LIGHT SOURCE	LED Arrays, 3000K, CRI 90
LUMINAIRE POWER	5W at 120V
RATED LIFE	50000 hr RL
OPTIONAL COLOR TEMPERATURES	3000K Only
LUMEN OUTPUT	Delivered: 281 lm (LM-79)
INPUT VOLTAGE	100V to 277V AC, 50/60Hz
DRIVER OUTPUT	600mA, 3.6W max power
DIMMING	Non-dimmable
CONSTRUCTION	Cast Aluminum Housing
DIFFUSER	- Clear Glass
FINISHES	Black (-15), Brushed Aluminum (-16)
MOUNTING	4" Octagonal J-Box (Installer must provide a bead of caulk between fixture housing and mounting surface)
STANDARDS	ETL Wet listed, ADA Compliant, Conforms to UL STD 1598, Certified CAN/CSA STD C22.2 No 250.0.



DIMENSIONS

W:	5.125"
H:	5.125"
Ext:	3.25"
M.C:	2.56" From top of fixture

Order example for standard fixture:
3-748-15 (x- Voltage - xxx-Sequence # - xx-Finish)
3: 120V to 277V

