

**ECLIPSE Outdoor (Wall / Ceiling)**  
**3-714-xx**

oxygen

FIXTURE TYPE \_\_\_\_\_

LOCATION \_\_\_\_\_

PROJECT \_\_\_\_\_

DATE \_\_\_\_\_

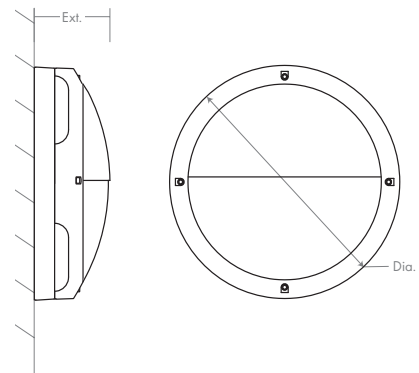


-16 Gray



-15 Black

|                                    |   |
|------------------------------------|---|
| <b>LIGHT SOURCE</b>                | 1 x 10.1W LED, 3000K, CRI 90  |
| <b>LUMINAIRE POWER</b>             | 13.0W at 120V   |
| <b>RATED LIFE</b>                  | 60000 hr RL   |
| <b>OPTIONAL COLOR TEMPERATURES</b> | 2700K, 3500K, 4000K   |
| <b>LUMEN OUTPUT</b>                | Delivered: 148 lm (LM-79)   |
| <b>INPUT VOLTAGE</b>               | 120V to 277V AC, 50/60Hz  |
| <b>DRIVER OUTPUT</b>               | 350mA, 14.7W max power  |
| <b>DIMMING</b>                     | TRIAC and ELV dimming at 120V AC;<br>0-10V dimming, 100% to 1% current output                               |
| <b>CONSTRUCTION</b>                | Cast Aluminum and Polycarbonate   |
| <b>DIFFUSER</b>                    | - Polished White Polycarbonate  |
| <b>FINISHES</b>                    | Black (-15), Gray (-16)   |
| <b>MOUNTING</b>                    | 4" Octagonal J-Box<br>(Installer must provide a bead of caulk between fixture housing and mounting surface) |
| <b>STANDARDS</b>                   | ETL Wet, Conforms to UL STD 1598,<br>Certified CAN/CSA STD C22.2 No 250.0.                                  |



**DIMENSIONS**

**Dia.:** 13.00"  
**Ext.:** 4.30"  
**M.C:** 6.50" From top of fixture

Order example for standard fixture:

**3-714-15** (x- Voltage - xxx-Sequence # - xx-Finish)

**3:** 120V to 277V

Order example for optional color temperatures: **3-714-2715**

**27:** 2700K, **35:** 3500K, **40:** 4000K

