

# ECHO Pendant

120v : **3-639-xx**

277v : **37-639-xx**

# oxygen

FIXTURE TYPE \_\_\_\_\_ LOCATION \_\_\_\_\_

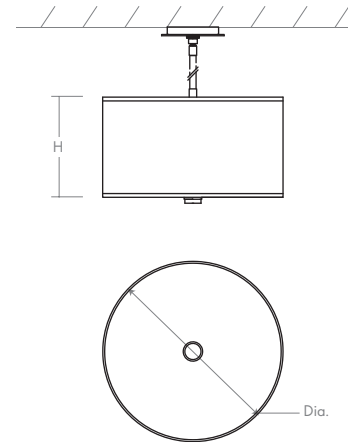
PROJECT \_\_\_\_\_ DATE \_\_\_\_\_



-24 Satin Nickel

-22 Oiled Bronze

- LIGHT SOURCE** 3 x 10.1W LED, 3000K, CRI 90
- LUMINAIRE POWER** 38.9W at 120V
- RATED LIFE** 60000 hr RL
- OPTIONAL COLOR TEMPERATURES** 2700K, 3500K, 4000K
- LUMEN OUTPUT** Delivered: 2040 lm (LM-79)
- INPUT VOLTAGE** 120V or 277V
- DRIVER OUTPUT** 3 x 350mA, 12W
- DIMMING** 0-10v & Phase (ELV) Dimming - 50/60hz 100% to 10% Dimming
- CONSTRUCTION** Plated Steel and Acrylic / Fabric
- DIFFUSER** White Grass Shade with Acrylic
- METAL FINISH** Satin Nickel (-24), Oiled Bronze (-22)
- MOUNTING** 4" Octagonal J-Box, 2" x 3" J-Box
- STANDARDS** ETL Dry/Damp listed, Conforms to UL STD 1598, Certified CAN/CSA, STD C22.2 No 250.0.



- DIMENSIONS**
- Dia. Canopy:** 6.25"
- Dia Fixture:** 24.00"
- H. Fixture:** 10.59"
- Suspension Length:** Up to 60"

Order example for standard fixture:

**3-639-24** (x- Voltage - xxx-Sequence # - xx-Finish)

3: 120v, 37: 277v

Order example for optional color temperatures: **3-639-2724**

27: 2700K, 35: 3500K, 40: 4000K

