

JOURNEY Wall Sconce / Ceiling Mount

120v: **3-625-xx-EM**

277v: **37-625-xx-EM**

oxygen

FIXTURE TYPE _____

LOCATION _____

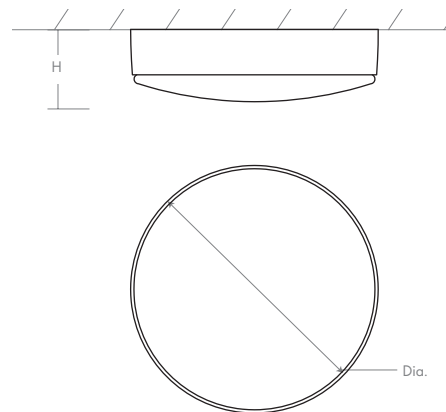
PROJECT _____

DATE _____



-24 Satin Nickel

LIGHT SOURCE	1 x 10.1W LED, 3000K, CRI 90
LUMINAIRE POWER	12.9W at 120V
RATED LIFE	60000 hr RL
OPTIONAL COLOR TEMPERATURES	2700K, 3500K, 4000K
LUMEN OUTPUT	Delivered: 698 lm (LM-79)
INPUT VOLTAGE	120V or 277V
DRIVER OUTPUT	350mA, 12W
DIMMING	0-10v & Phase (ELV) Dimming - 50/60Hz 100%to 10% Dimming
CONSTRUCTION	Plated Steel and Acrylic
DIFFUSER	- Matte White Acrylic
FINISHES	Satin Nickel (-24)
MOUNTING	4" Octagonal J-Box
STANDARDS	ETL Dry/Damp listed, Conforms to UL STD 1598, Certified CAN/CSA, STD C22.2 No 250.0.



DIMENSIONS
Dia: 14.00"
H: 4.10"

EM Driver	Fullham HotspotLED Series
EM Battery Life	90 Minutes Minimum

Order example for standard fixture:

3-625-24-EM (x- Voltage - xxx-Sequence # - xx-Finish)

3: 120v, 37: 277v

Order example for optional color temperatures:

3-625-2724-EM 27: 2700K, **35:** 3500K, **40:** 4000K



Intertek